

MASTER

Contestant Name \_\_\_\_\_ Working # \_\_\_\_\_

2015 IMI CONTEST  
BIO 240 R  
WRITTEN TEST  
CIRCLE THE CORRECT ANSWER

1. Always handle oxygen \_\_\_\_\_ with care to prevent damage.
  - A. Bottles
  - B. Cylinders
  - C. Tanks
  
2. The use of an SCBA will add to the \_\_\_\_\_ and stress of the user.
  - A. Fatigue
  - B. Workload
  - C. Stress
  
3. Always check for a \_\_\_\_\_ hydrostatic test date.
  - A. Usable
  - B. Current
  - C. Acceptable
  
4. Users should never wear the BioPak if they have \_\_\_\_\_ facial hair.-
  - A. Any
  - B. Excessive
  - C. Thick
  
5. Turn-Around maintenance \_\_\_\_\_ should be performed as soon as possible after each use of the SCBA.
  - A. Requirements
  - B. Recommendations
  - C. Procedures
  
6. DO NOT \_\_\_\_\_ the Alarm Module during turn-around maintenance.
  - A. Wash
  - B. Dry
  - C. Submerge

7. Freeze the ice canisters for a minimum of (8) hours before use at a maximum temperature of \_\_\_\_\_ degrees F (-12 C).
- A. 10
  - B. 15
  - C. 5
8. Do not expose opened CO<sub>2</sub> scrubber cartridges to ambient air for more than \_\_\_\_\_ minutes.
- A. 20
  - B. 30
  - C. 60
9. The hoses and facepiece adapter MUST be \_\_\_\_\_ with the breathing gas directional arrows facing UP.
- A. Connected
  - B. Installed
  - C. Worn
10. The oxygen cylinder pressure gauge and the RMS gauge pressure readings shall match within +/- \_\_\_\_\_%.
- A. 10
  - B. 5
  - C. 15
11. Any SCBA that fails testing must be clearly \_\_\_\_\_ or "Tagged-Out" of service.
- A. Identified
  - B. Marked
  - C. Noted
12. The RMS will automatically power down once the system pressure has dropped below \_\_\_\_\_ psig.
- A. 30
  - B. 20
  - C. 25

13. \_\_\_\_\_ Use Dow 111 on any o-ring seal that comes in contact with high-pressure oxygen.
- A. Always
  - B. Never
  - C. Occasionally
14. Use only \_\_\_\_\_ replacement parts in the configuration as specified by Biomarine.
- A. Approved
  - B. Exact
  - C. Recommended
15. Do not change battery in \_\_\_\_\_ area.
- A. Hazardous
  - B. Explosive
  - C. Irrespirable
16. The CO<sub>2</sub> Scrubber Gasket should be replaced after \_\_\_\_\_ use.
- A. Every
  - B. Each
  - C. 1
17. The facepiece Anti-Fog Lens should be replaced after approximately \_\_\_\_\_ uses.
- A. 10
  - B. 5
  - C. 20
18. The Center Section Lid O-Ring should be replaced as \_\_\_\_\_.
- A. Required
  - B. Recommended
  - C. Needed

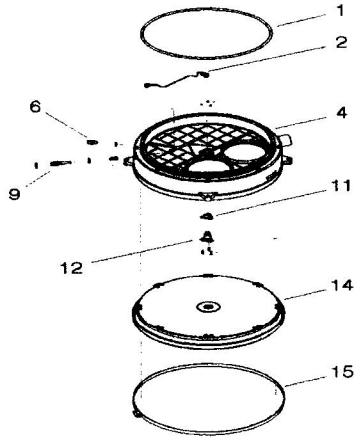
19. Mask fogging during use could be caused by Anti-fog \_\_\_\_\_ not applied or applied incorrectly.

- A. Agent
- B. Insert
- C. Gel

20. Breathing \_\_\_\_\_ - could limit or prevent the use of the BioPac 240 Revolution.

- A. Difficulties
- B. Problems
- C. Obstructions

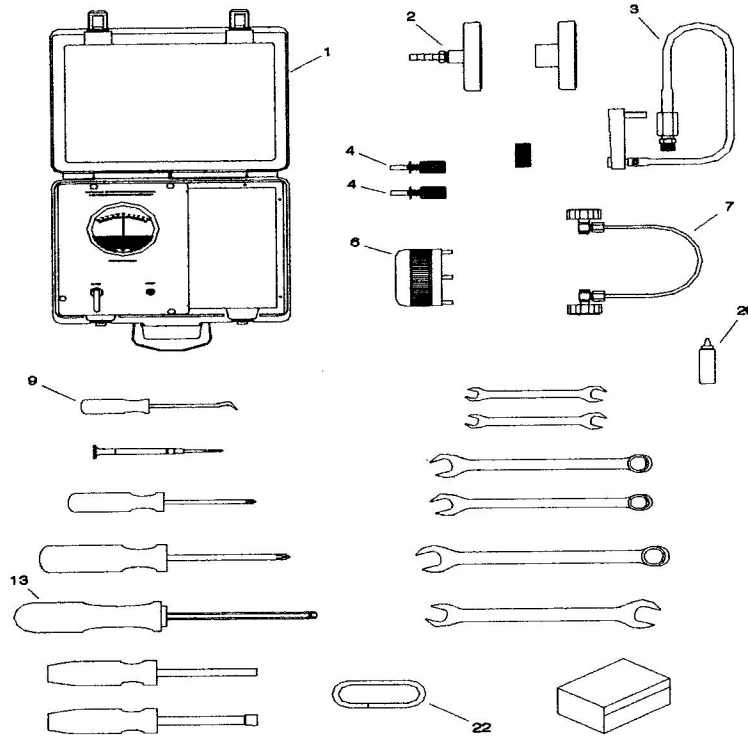
## Center Section Assembly



1 Cons. No.	2 Designation	1 Cons. No.	2 Designation
1	Lid O-Ring	11	Demand Valve _____ (24)
2	Demand ____ Tube (21)	12	Demand Valve Assembly
4	Center Section Body Assembly	14	_____ Diaphragm (25)
6	_____ Add Fitting (22)	15	Diaphragm Clamp
9	_____ Add Fitting (23)		

- |  |  |  |   |  |
|--|--|--|---|--|
| <p><b>(21)</b><br/>A. Feed<br/>B. Line<br/>C. Hose</p> | <p><b>(22)</b><br/>A. Demand<br/>B. Constant<br/>C. Flow</p> | <p><b>(23)</b><br/>A. Demand<br/>B. Flow<br/>C. Constant</p> | <p><b>(24)</b><br/>A. Bushing<br/>B. Hose<br/>C. Gasket</p> | <p><b>(25)</b><br/>A. Pliable<br/>B. Flexible<br/>C. Breathing</p> |
|--|--|--|---|--|

## Tool Kit



1 Cons. No.	2 Designation	1 Cons. No.	2 Designation
1	Case Assembly	7	Center Section Pneumatic____ (28)
2	____ Check Adapter Fitting(26)	9	Combination Pick Tool
3	Flow Test Fixture	13	1/4 - Inch Hex Driver
4	Test Key	20	Leak _____ Fluid (29)
6	Vent Valve _____ (27)	22	3/8 - Inch OD _____ Tubing (30)

<b>(26)</b>	<b>(27)</b>	<b>(28)</b>	<b>(29)</b>	<b>(30)</b>
A. Flow	A. Adapter	A. Plug	A. Detector	A. Tyvar
B. Pressure	B. Wrench	B. Ring	B. Detection	B. Neoprene
C. Leak	C. Tool	C. Key	C. Detecting	C. Rubber

**2015 IMI BENCH CONTEST**  
**Bio 240 R Written Test**  
**ANSWER KEY**

Question Number	Answer	Statement Number
1.	B. Cylinders	6
2.	B. Workload	10
3.	B. Current	15
4.	A. Any	19
5.	C. Procedures	23
6.	C. Submerge	26
7.	A. 10	34
8.	A. 20	39
9.	B. Installed	42
10.	A. 10	48
11.	A. Identified	50
12.	C. 25	54
13.	B. Never	57
14.	B. Exact	79
15.	A. Hazardous	82
16.	C. 1	84
17.	C. 20	86
18.	C. Needed	88
19.	A. Agent	91
20.	A. Difficulties	97
21.	A. Feed	Center Section Assembly
22.	B. Constant	Center Section Assembly
23.	A. Demand	Center Section Assembly
24.	C. Gasket	Center Section Assembly
25.	B. Flexible	Center Section Assembly
26.	C. Leak	Tool Kit
27.	B. Wrench	Tool Kit
28.	A. Plug	Tool Kit
29.	B. Detection	Tool Kit
30.	C. Rubber	Tool Kit