

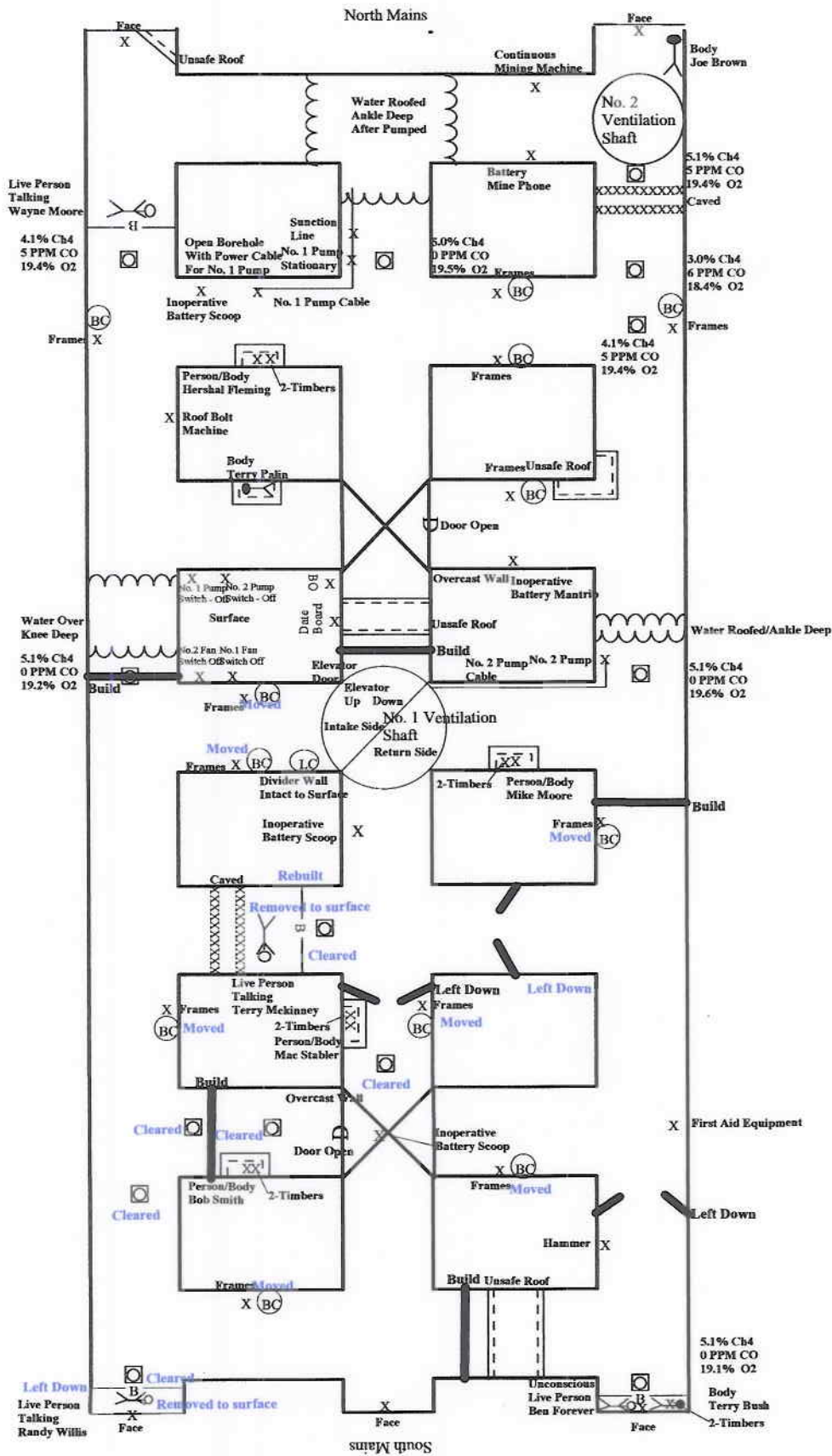
**Welcome to the 48th Consecutive Virginia
Mining Institute Safety Day Contest
2014**



Virginia Mining Institute

August 6, 2014

V - 2 - 14



Virginia Mining Institute
V-2-14
Statement

Thank you for returning today to continue the rescue and recovery operation at our mine. You are located on the surface at the top of the No. 1 ventilation shaft where you started yesterday. Your team explored most of the South portion of the mine yesterday. An updated map of this area will be given to you along with additional map information we obtained last night. The map will show how the area was left yesterday. Since yesterday, the pump cable to the no. 2 pump has been repaired and ready for use. Yesterday you were informed that 11 people were missing. Thus far you have located (5) of those people and brought 2 to the surface. No contact has been made with the remaining miners.

Any areas that your teams explored yesterday is considered to be explored today and can be traveled if necessary to account for all the missing miners and for ventilation purposes.

An area of roofed water is located in the no. 2 entry on the North section. A stationary (no.) 1 pump controls this water and is presently off. This water will roof immediately if the pump is not operating.

All electrical power underground is still de-energized and locked out, power is supplied to the fan and pump switches on the surface. The No. 1 exhaust fan that was started yesterday is still operating today.

The (No. 2 exhaust fan) is located on the No. 2 ventilation shaft on the North section. No self closing doors are installed on the No. 2 fan. If the No. 1 fan is operating and the No. 2 fan is off air will intake down the No. 2 shaft. The No. 2 fan is presently off and can be started by turning the switch on, on the surface. When the fan (s) is started, they cannot be turned off or reversed.

**Virginia Mining Institute
V-2-14
Statement**

Both agencies have been notified and are present. Backup mine rescue teams are available as your back up.

We have a competent life line judge available (ask who). Two blank maps and the teams written instructions will be provided when you are ready to begin work.

V-2-14
Team Instructions
Problem

- Rescue all live persons and bring them to the surface.
- Account for all missing miners.
- After the team starts a mine fan they cannot stop or reverse the fan(s).
- The team cannot move any ventilation control that's anchored to the ground.
- A time limit of 90 minutes has been established for this problem. The team will be advised 10 minutes prior to this time limit expiring

Virginia Mining Institute

V- 2 – 14

Patient Note #1

(Patient “Wayne Moore “Behind barricade No. 1 entry)

“ Help, Help, get me out..... “

Virginia Mining Institute

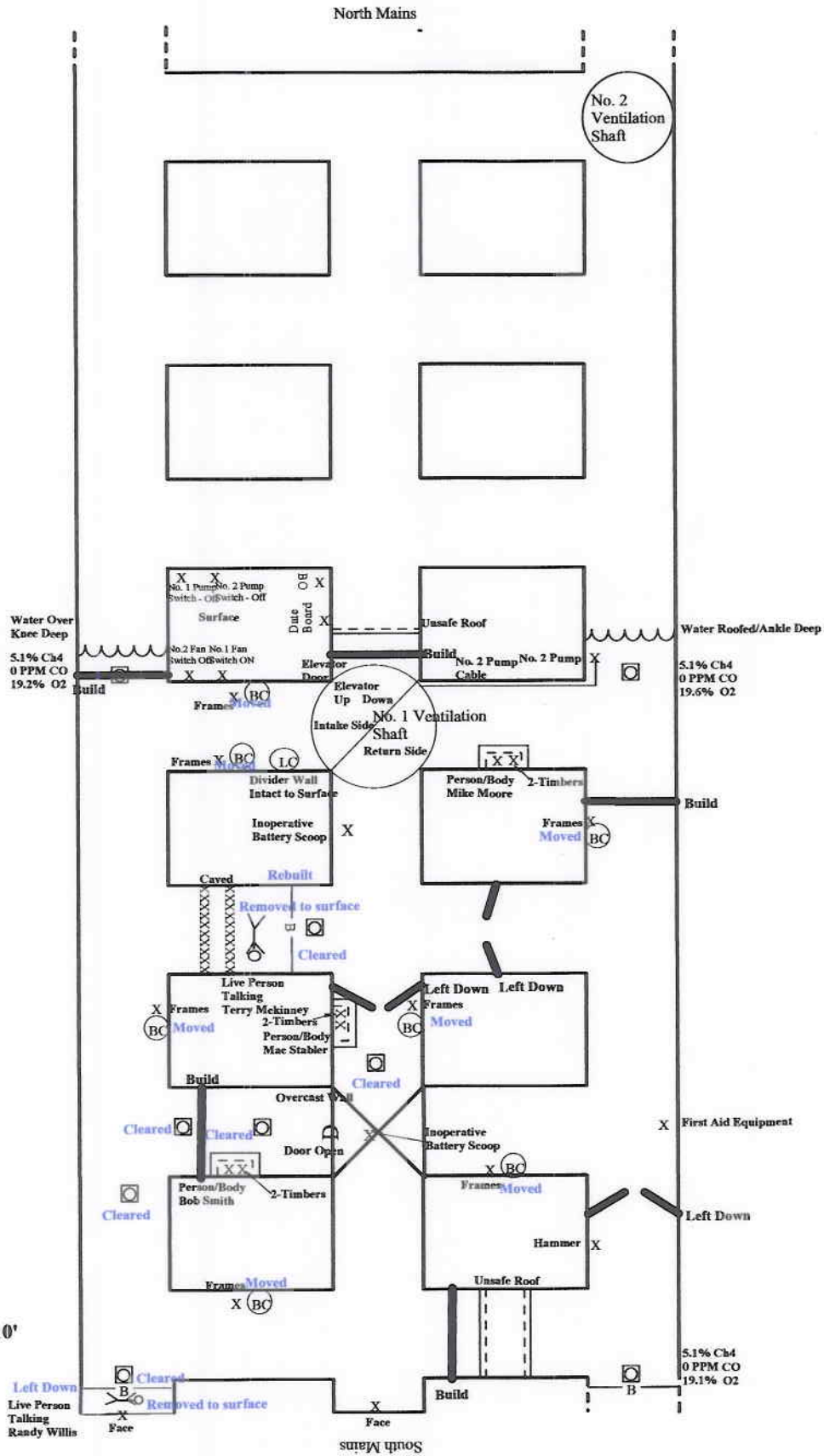
August 6, 2014

V - 2 - 14

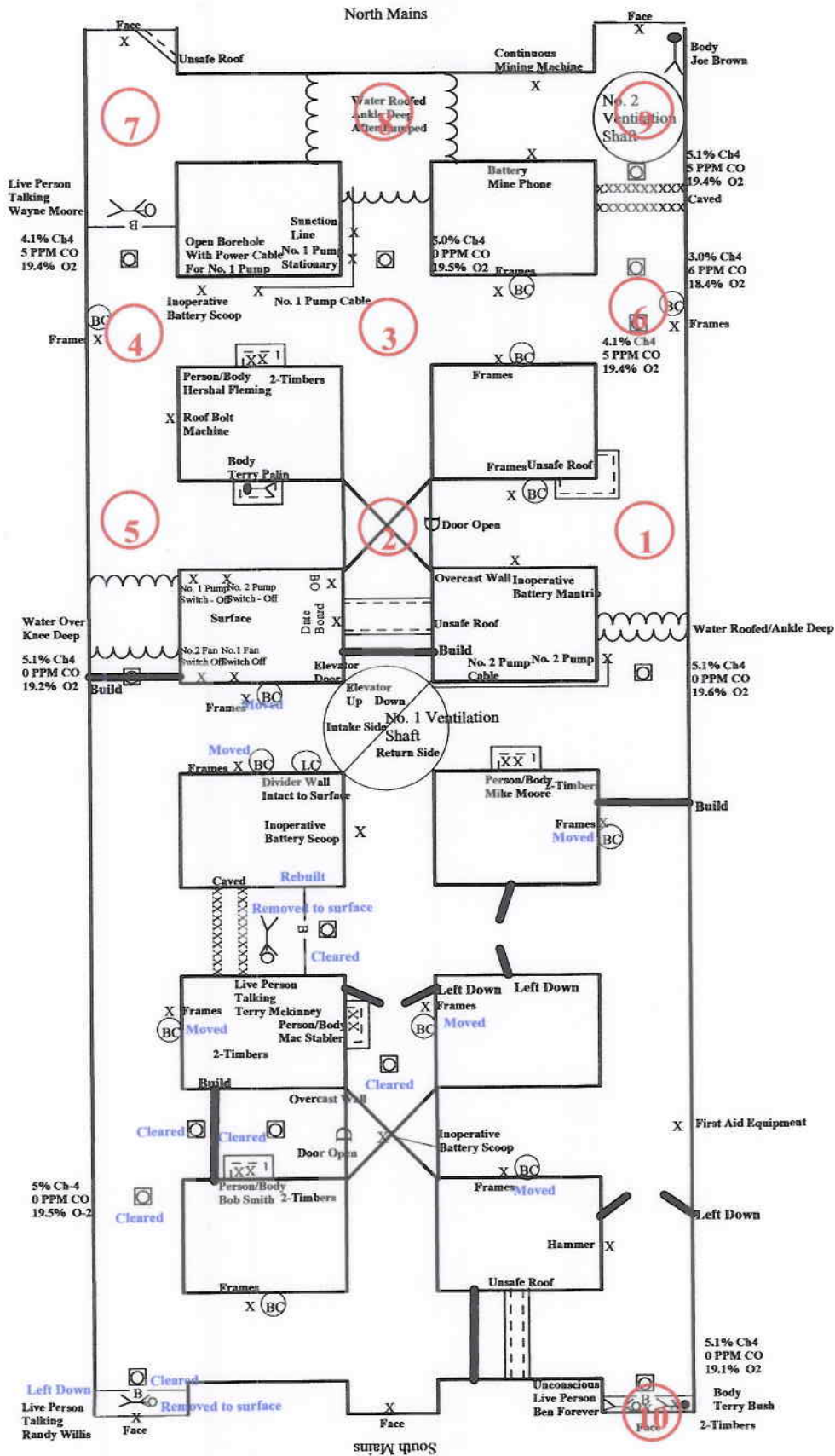
Team Map

Team No. _____

Field No. _____



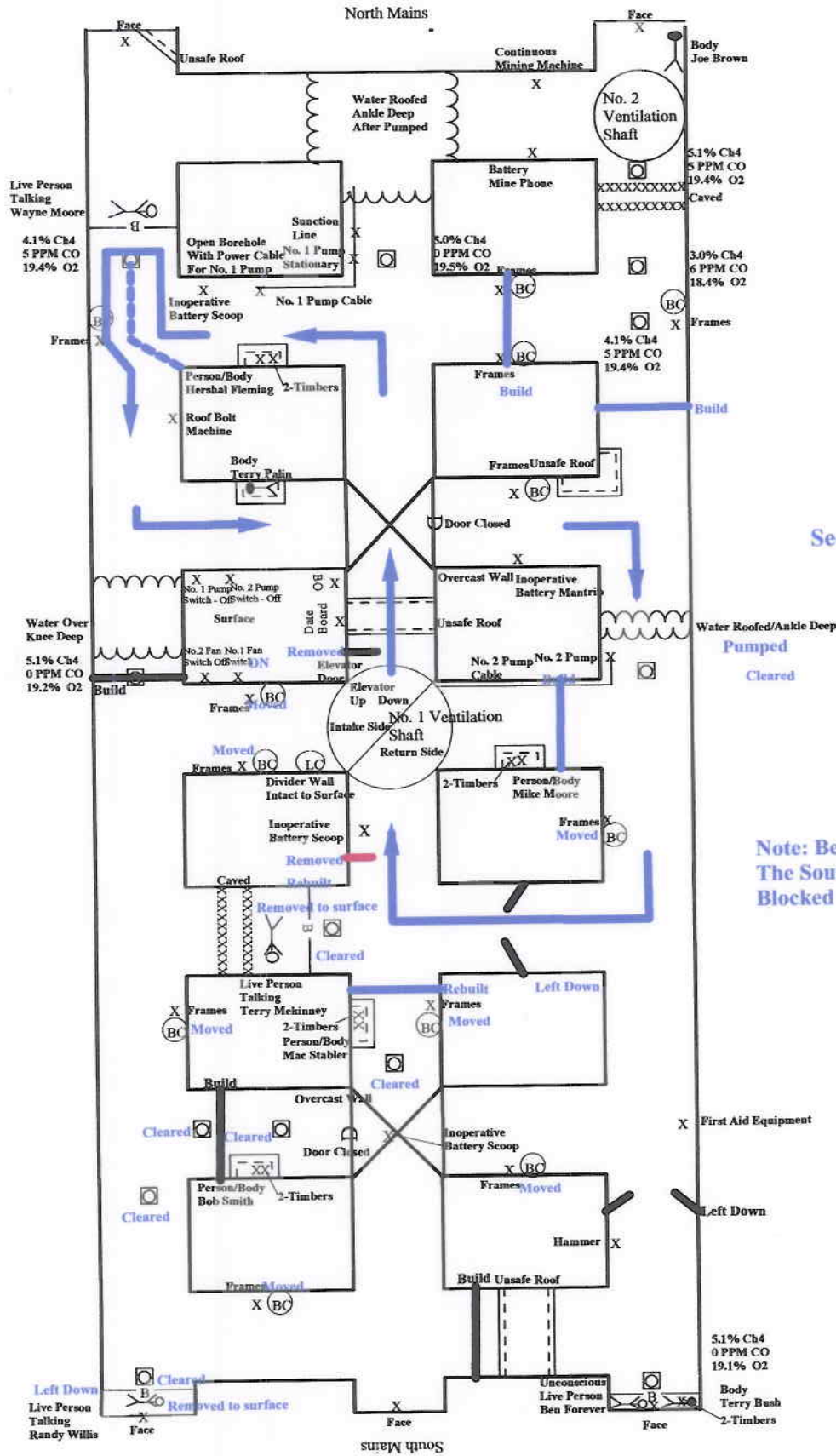
Scale: 1" = 10'



Virginia Mining Institute

August 6, 2014

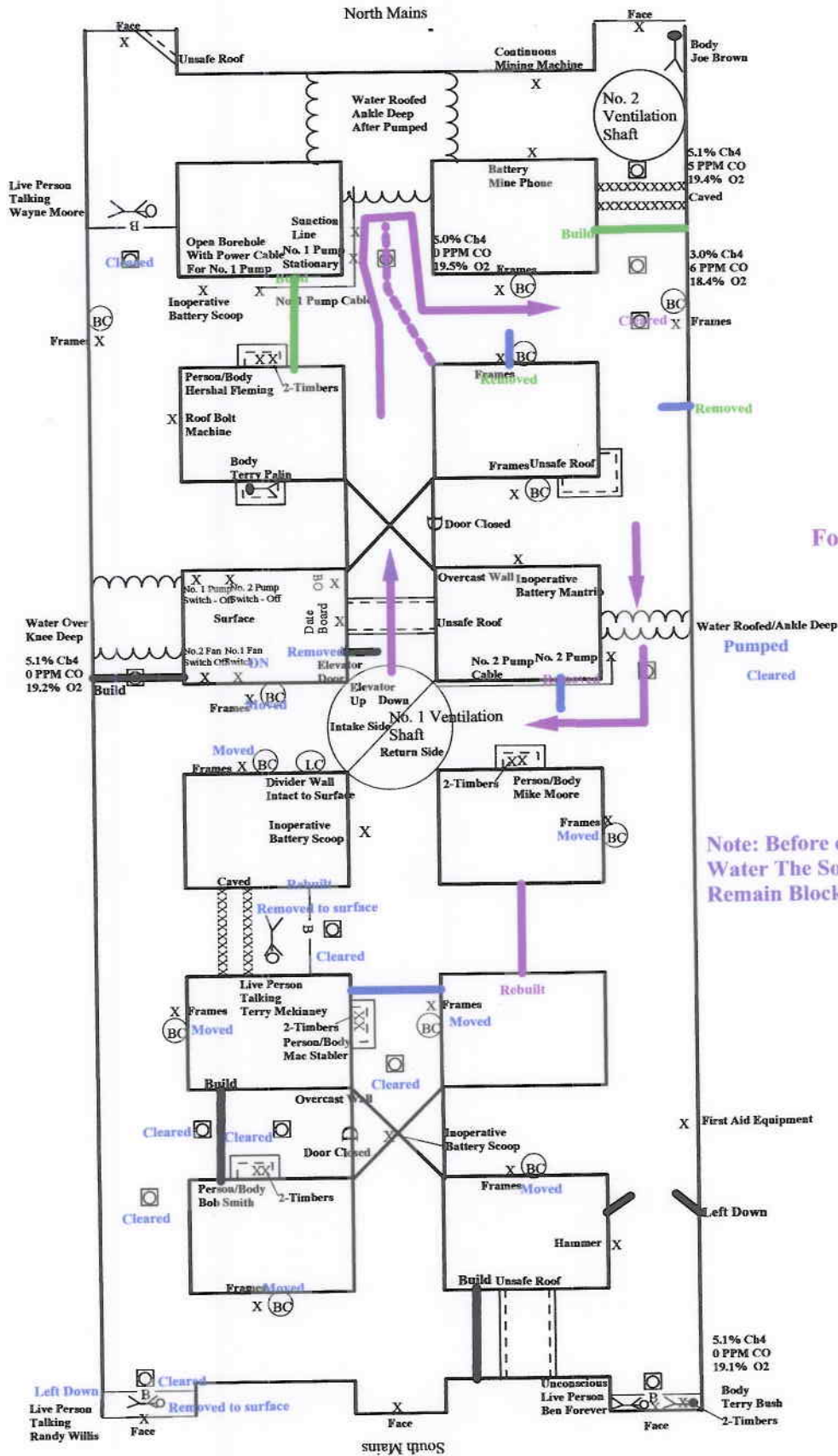
V - 2 - 14



Second Ventilation

Note: Before clearing Barricade
The South side Intake Must be
Blocked

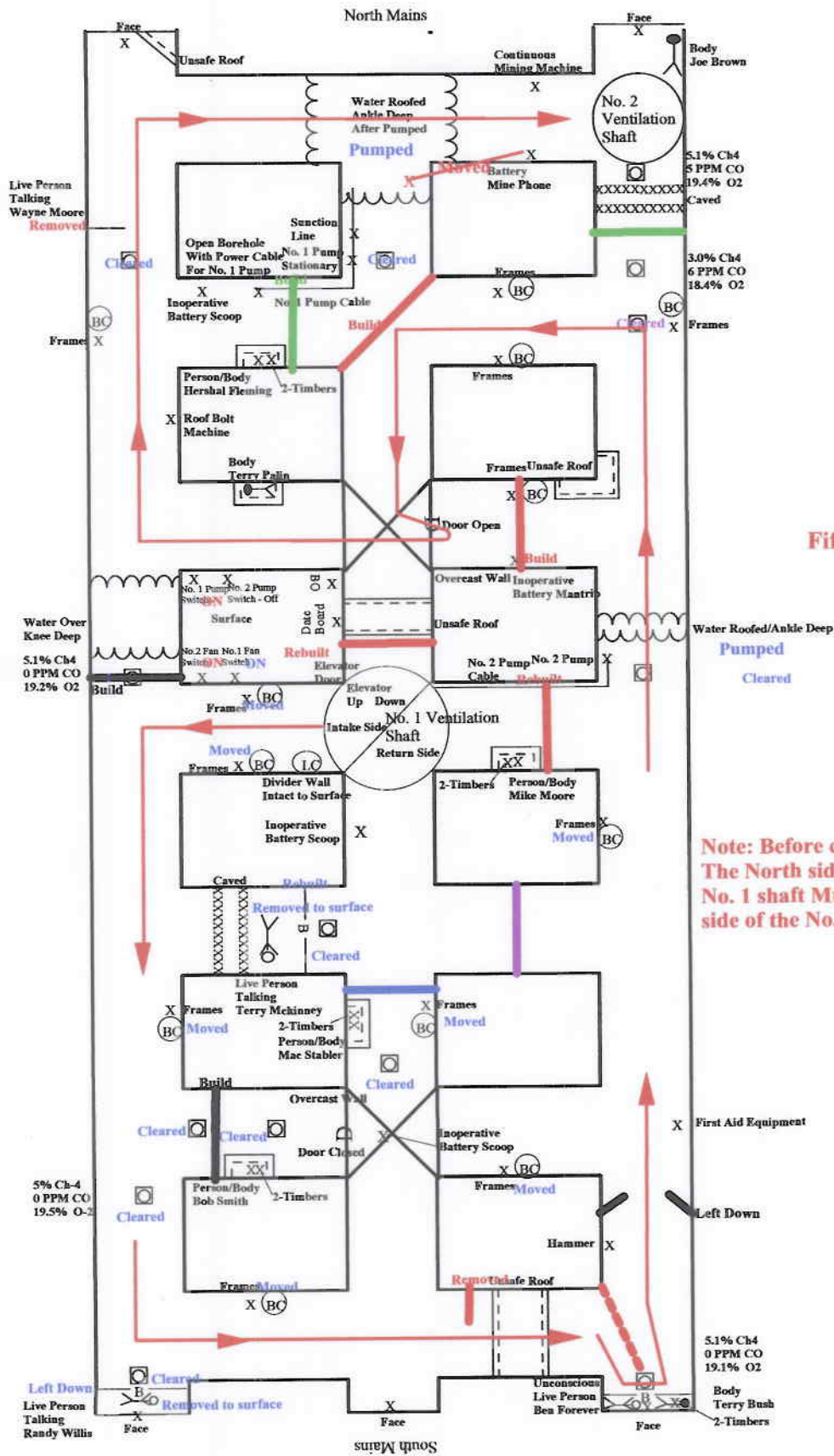
Virginia Mining Institute
 August 6, 2014
 V - 2 - 14



Virginia Mining Institute

August 6, 2014

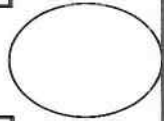
V - 2 - 14



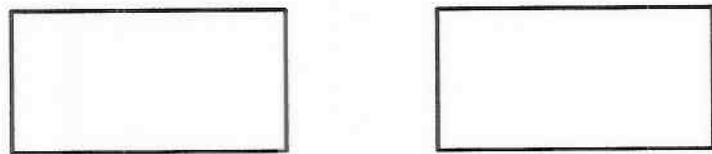
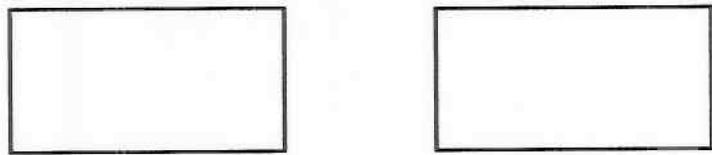
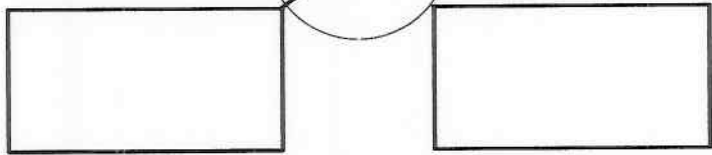
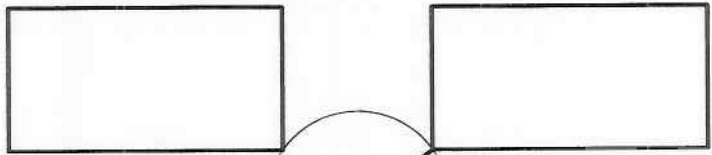
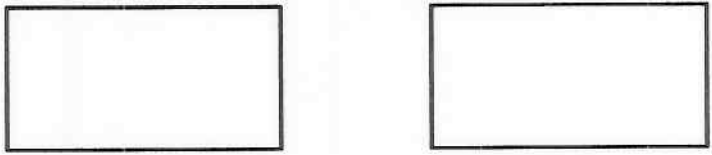
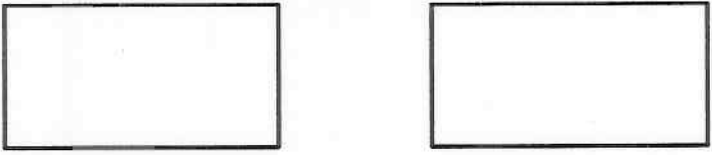
Fifth Ventilation

Note: Before clearing Gas at Barricade The North side No. 2 entry Intake of the No. 1 shaft Must be Blocked and the Return side of the No. 1 shaft must be blocked

V - 1 - 14
North Mains



No. 2
Ventilation
Shaft



South Mains

Virginia Mining Institute

2014

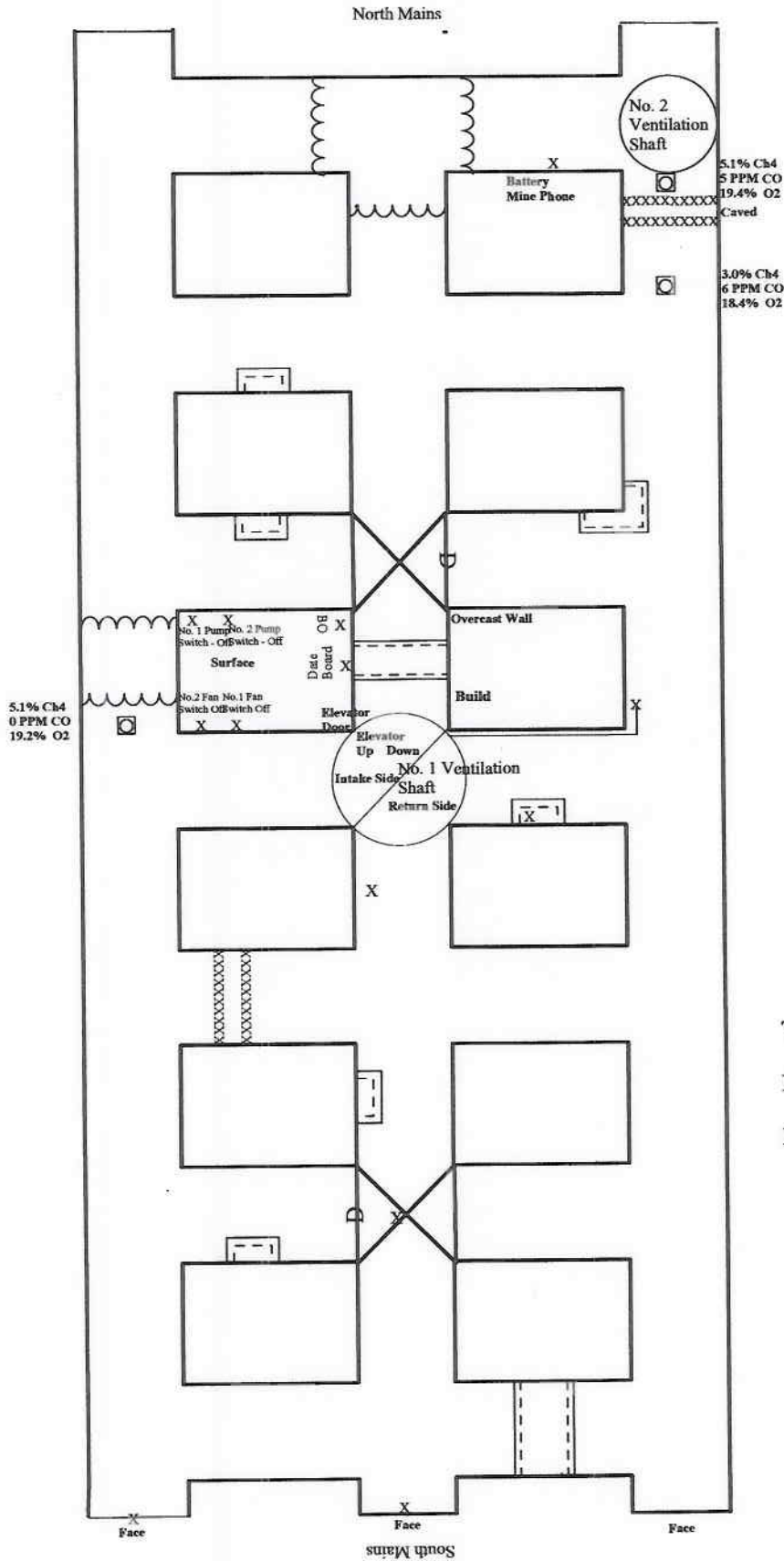
GROUND RULES

- Nails are not to be used on the field. Frames anchored in place on the field cannot be disassembled. When using these frames for ventilation control will require the connection of all straps. Four (4) straps on top and two (2) on each side must be completed.
- When removing curtain from the frames, each Velcro strap must be disconnected individually. Do not pull on the curtain to disconnect the Velcro strap. This may result in broken straps.
- 2-cone type frames and a curtain type ribbon with Velcro straps will be available for teams to use as ventilation structures. For an airtight structure, teams will be required to fasten both Velcro straps to (eyes) atop of each cone. When disassembling the structure, the curtain must be removed from both cones. For mapping purposes, the team will be required to use the symbol BC for the curtain and an X for the Frame.
- Working time for the problems will be stipulated each day. If teams do not complete problem in time allowed, they will be discounted as stipulated in rule 3 (A-card) of the mine rescue rules.
- 2 set of frames (One wood and one Cone type) and ventilation curtain will be located in the lockup area so teams can become familiar with erecting ventilation controls before they work the problem
- Anemometer Competition will be included as part of the mine rescue competition. After a team member is chosen to take the written examination, a team member will be chosen from the remaining five team members for the anemometer competition. The individuals who are chosen will be sequestered until their time to do the exercise. Team members will be judged based on the following criteria:
 1. *Proper Technique (Traverse the entry, Anemometer held properly and turned in right direction)*
 2. *Correct velocity (includes anemometer correction)*
 3. *Correct area*
 4. *Air quantity*
 5. *Must show judge anemometer reading*
 6. *Total Time to complete exercise*

Virginia Mining Institute

August 6, 2014

V - 2 - 14



Team No. _____

Date: _____

Initials: _____

Final Vent Map/Controls as Left in Mine