

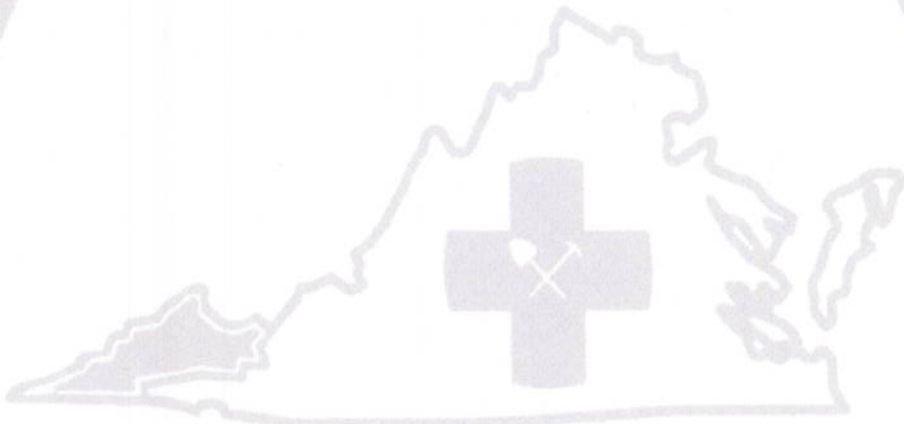
Welcome to the 46<sup>th</sup> Consecutive Virginia Mining Institute  
Safety Day Contest  
2013



"Mine Safety Through Education And Training"

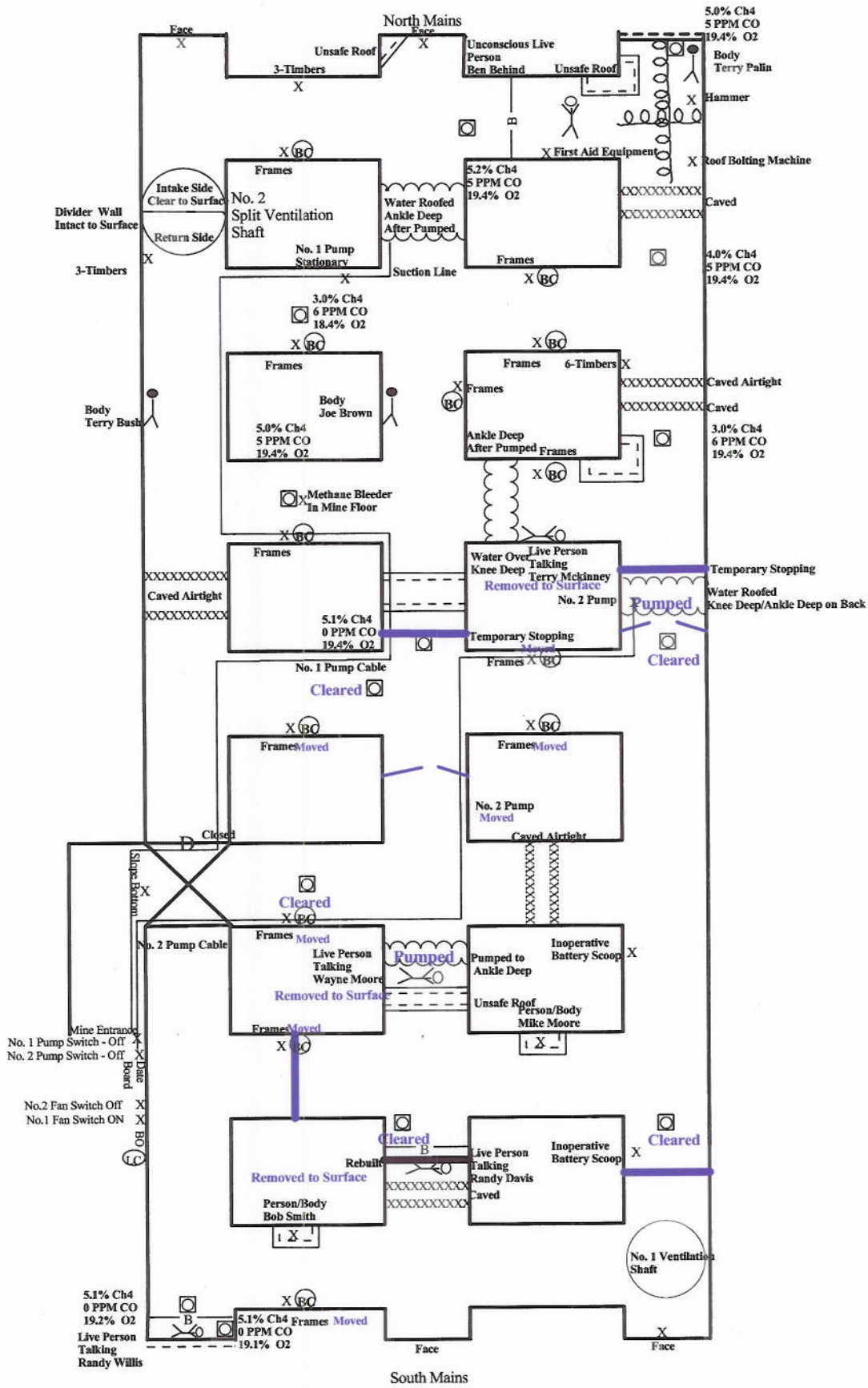
VIRGINIA MINING INSTITUTE

Day 2



SAFETY FIRST

Virginia Mining Institute  
August 7, 2013  
V - 2 - 13



## V-2-13 Statement

Thank you for returning today to continue the rescue and recovery operation at our mine. You are located on the surface at the top of the slope entry where you started yesterday. Your team explored most of the South portion of the mine yesterday. An updated map of this area will be given to you along with additional map information we obtained last night. The map will show how the area was left yesterday. Since yesterday, the pump cable to the no. 2 pump has been repaired and ready for use. Yesterday you were informed that 10 people were missing. Thus far you have accounted for (6) of those people and identified 3. No contact has been made with the remaining miners.

Any areas that your teams explored yesterday is considered to be explored today and can be traveled if necessary to account for all the missing miners and for ventilation purposes.

An area of roofed water is located in the no. 2 entry on the North section. A stationary (no.) 1 pump controls this water and is presently off. This water will roof immediately if the pump is not operating.

All electrical power underground is still de-energized and locked out, power is supplied to the fan and pump switches on the surface. The No. 1 exhaust fan that was started yesterday is still operating today.

The (No. 2 exhaust fan) is located on a split ventilation shaft on the North section. The No. 2 fan has self closing doors that close when the fan is not operating. When the doors are closed no air will intake down the return side of the shaft. The No. 2 fan is presently off and can be started by contacting the command center prior to

**V-2-13  
Statement**

**turning the switch on, on the surface. When the fan (s) are started, they cannot be turned off or reversed.**

**Both agencies have been notified and are present. Backup mine rescue teams are available as your back up.**

**A command center has been established on the surface of the mine and will function to coordinate information and instructions to and from the team as they work through the mine.**

**We have a competent life line judge available (ask who). Two blank maps, and the teams written instructions will be provided when you are ready to begin work.**

**V-2-13**  
**Team Instructions**  
**Problem**

- The briefing officer shall establish communications with the command center prior to the team going in by the fresh air base.
- Rescue all live persons and bring them to the surface.
- Account for all missing miners.
- Show all conditions as they were found and conditions as left by the team on the team map.
- The team shall notify the command center immediately after they identify any missing persons and give their name.
- The team can not move any ventilation control that's anchored to the ground.
- A time limit of 90 minutes has been established for this problem. The team will be advised 10 minutes prior to this time limit expiring

**Virginia Mining Institute**

**V- 2 – 13**

**Patient Note #1**

**(Patient Behind Barricade in # 3 Entry)- “South Section”**

**“ Help, Help, get me out.....”**

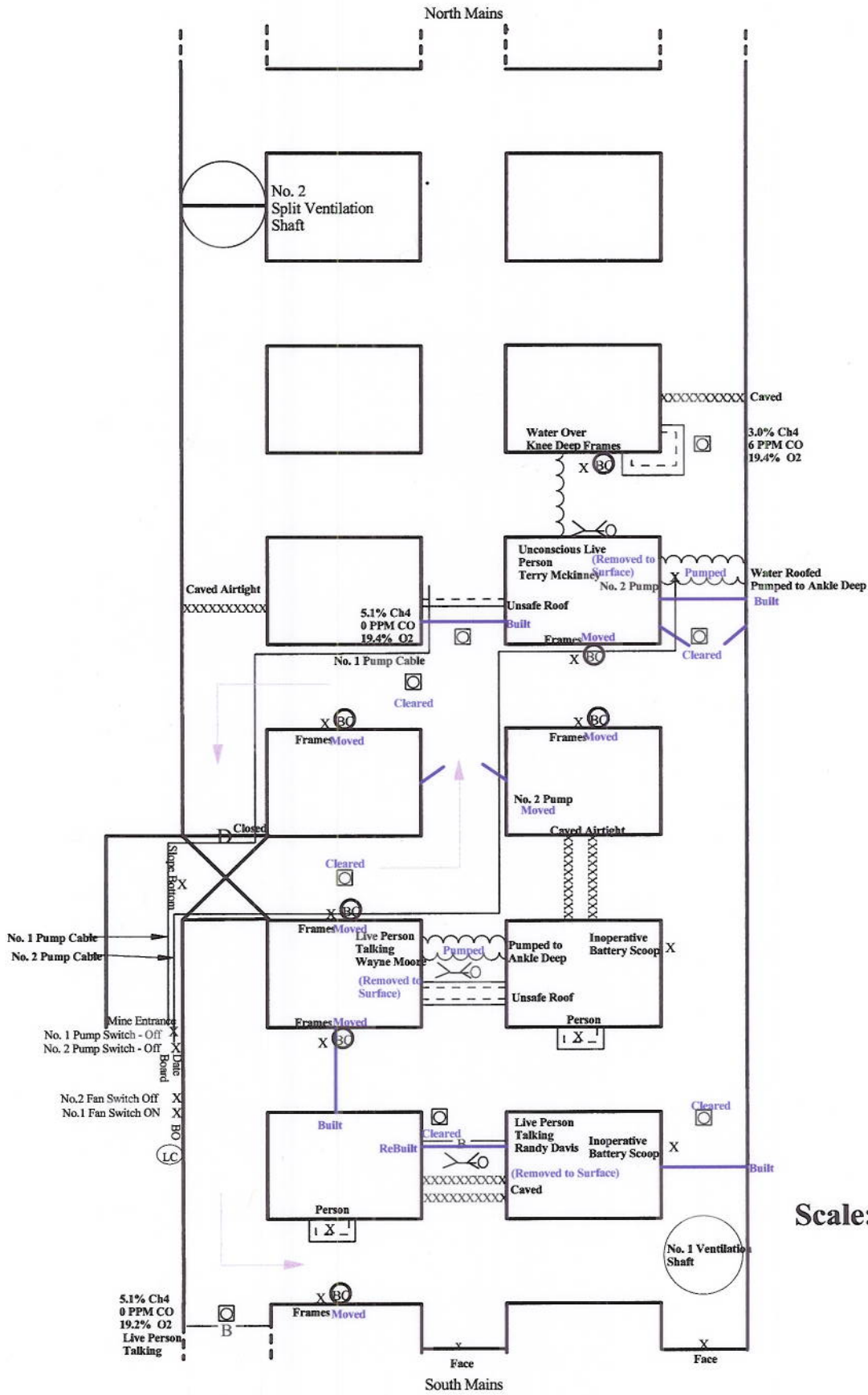
# **Virginia Mining Institute**

**V- 2 – 13**

## **Team Note # 1**

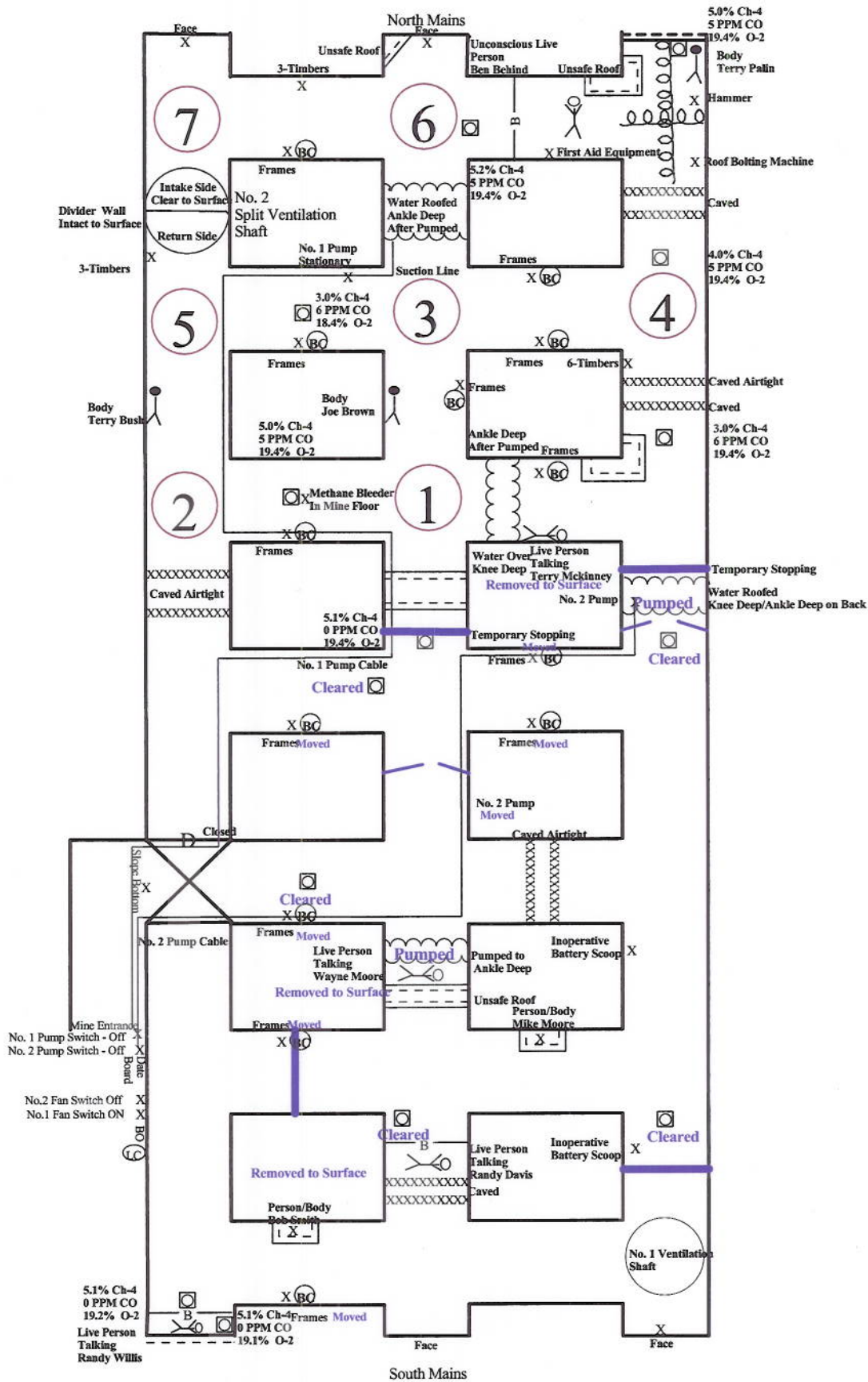
**(Superintendent Gives to Briefing Officer When Team Finds  
Bleeder in Mine Floor)- “North Section”**

**“ In order to Maintain the Methane  
Below an Explosive Mixture at the  
Bleeder in the Mine Floor, All the Air  
From an Opening Must be Maintained  
Across the Bleeder”**





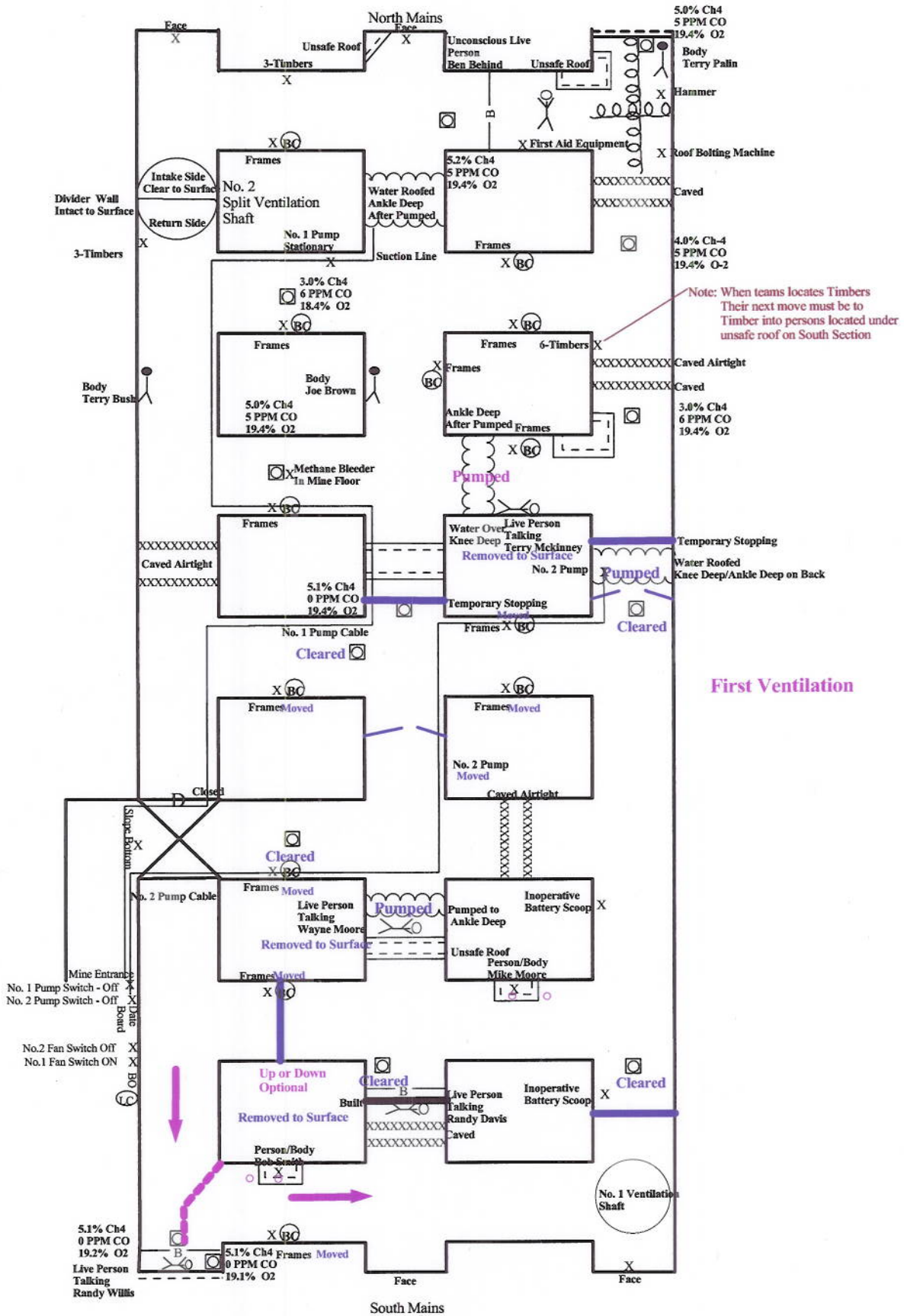
# Team Stops

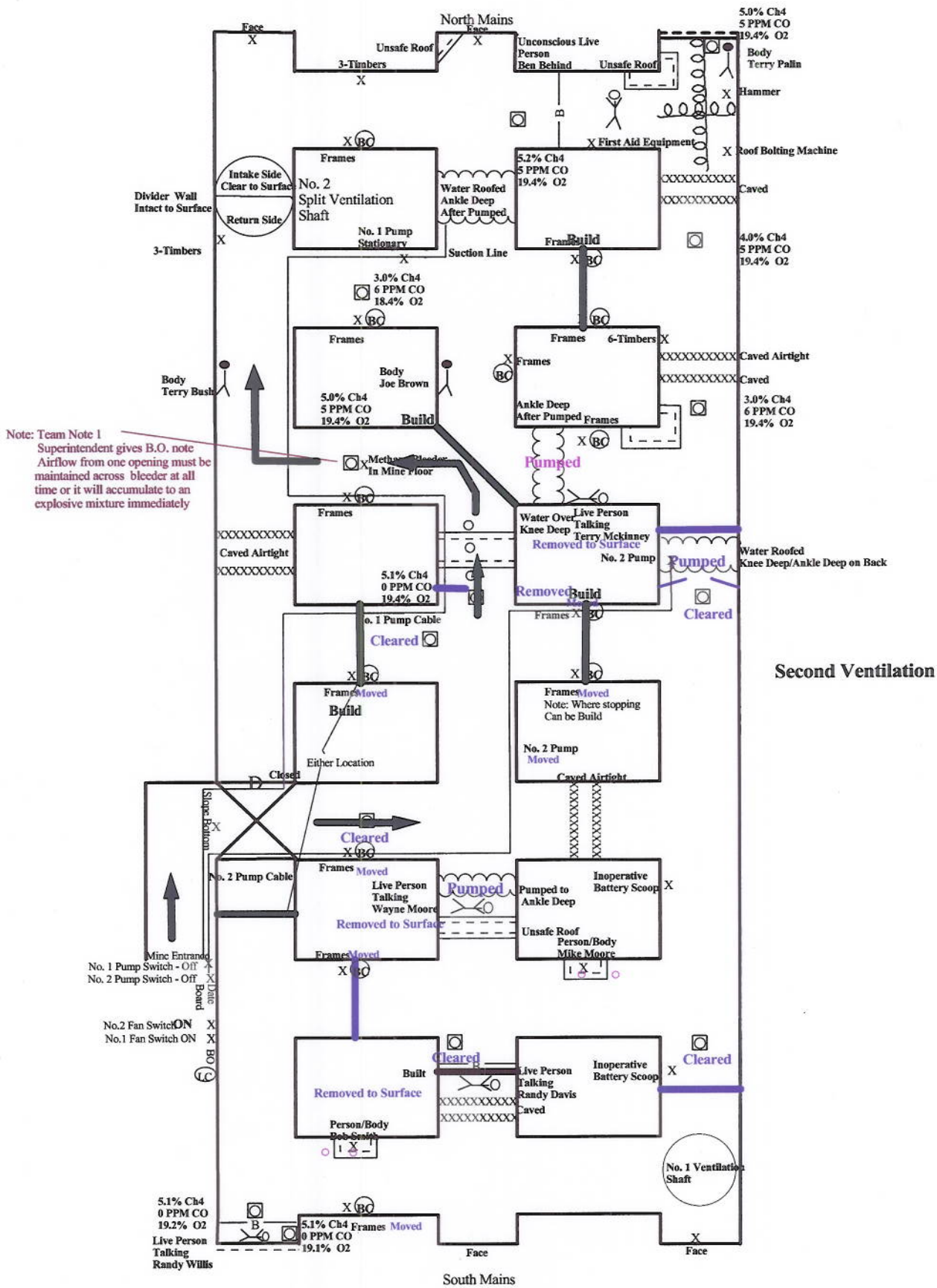


Virginia Mining Institute

August 7, 2013

V - 2 - 13





Note: Team Note 1  
 Superintendent gives B.O. note  
 Airflow from one opening must be  
 maintained across bleeder at all  
 time or it will accumulate to an  
 explosive mixture immediately

