

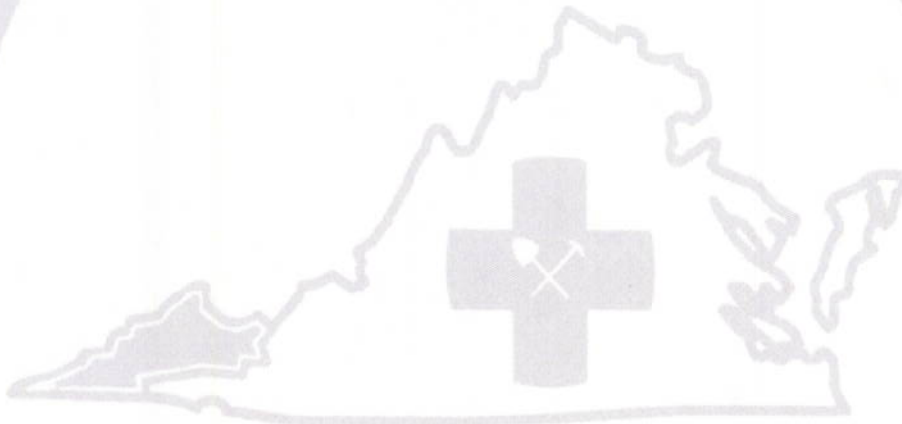
Welcome to the 46th Consecutive Virginia Mining Institute
Safety Day Contest
2013



"Mine Safety Through Education And Training"

VIRGINIA MINING INSTITUTE

Day 1

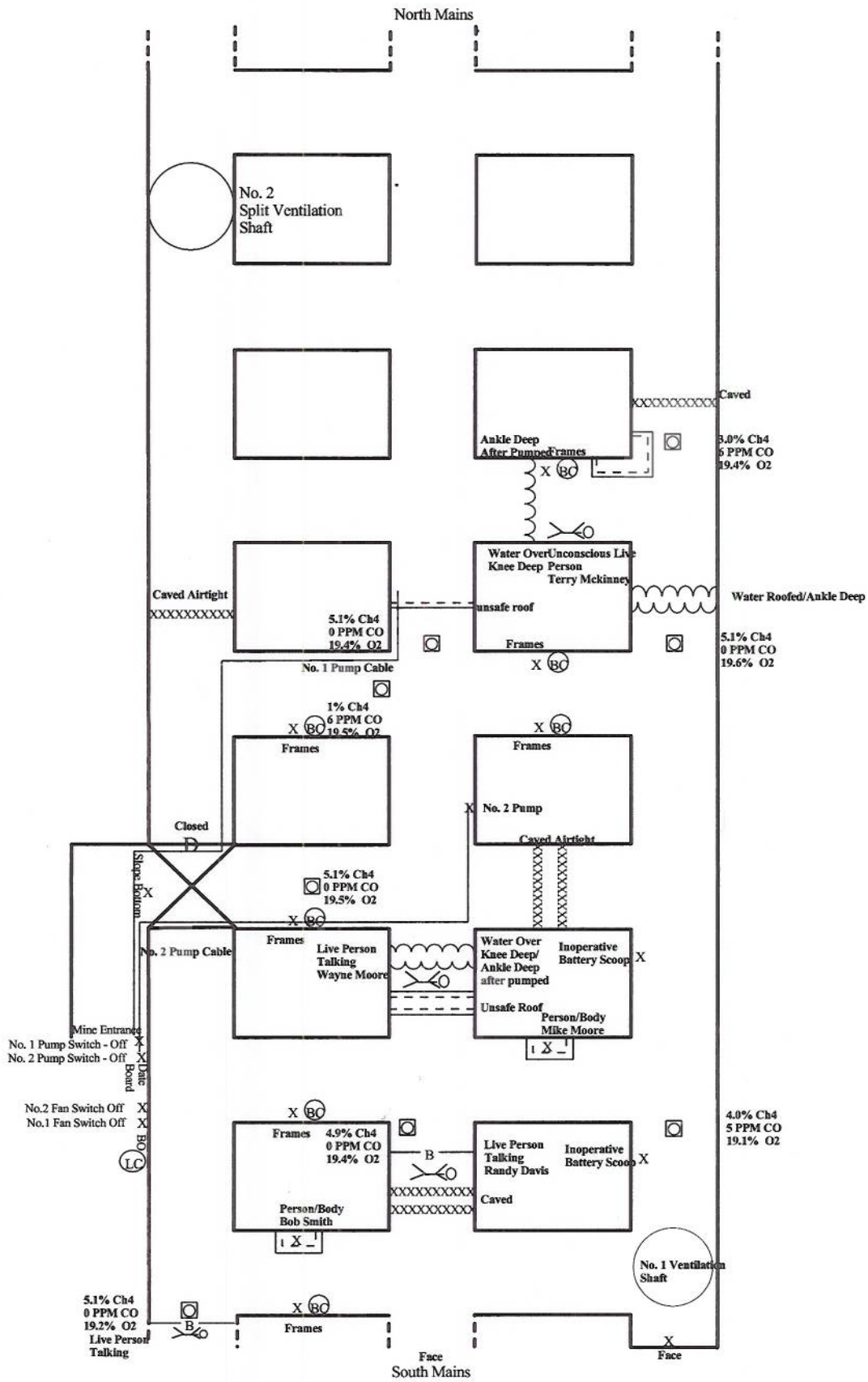


SAFETY FIRST

Virginia Mining Institute

August 6, 2013

V - 1 - 13



V-1-13 Statement

Thank you for answering Hard Times Coal Company's call for help. We have had a problem at the No. 6 mine and your assistance is urgently needed. When you arrive at the mine, you will be located on the surface at the top of the slope entry. This slope portal area was being developed in order to connect into two air shaft and establish a new mine portal to enter and exit the mine. The new portal area underground consist of two sections being developed North and South. These two sections are projected to cut into the active mine workings of the Hard Times Coal Company.

The mine is being ventilated by two exhaust fan's, the (No. 1 exhaust fan) is located on a ventilation shaft on the south section, and the (No. 2 exhaust fan) is located on a split ventilation shaft on the North section. Both fans have self closing doors that close when the fan is not operating. When the doors are closed no air will intake down the return side of the shaft. Both fans are presently off and can be started by contacting the command center prior to turning the switch on, on the surface. When started they cannot be turned off or reversed.

The mine does liberate methane gas. Poor roof conditions have been encountered at times and some water accumulation has occurred from time to time. This morning at 7:00am 10 men entered the mine to produce coal on both sections. At 8:00am one

V-1-13 Statement

man called the surface reporting smoke on the south section. Several attempts to contact the missing miners have been unsuccessful.

All electrical power to the underground area of the mine has been de-energized and locked out, power is supplied to the fan and pump switches located on the surface near the mine entrance.

The mine map is not up to date; when more information is obtained you will be notified.

A command center has been established on the surface of the mine and will function to coordinate information and instructions to and from the team as they work through the mine.

Both agencies have been notified and are present.

A backup mine rescue team is present to act as your back up

We have a competent life line judge available (point out). Two blank maps and the team's written instruction will be provided when you are ready to begin work.

V-1-13
Team Instructions
Problem

- The briefing officer shall establish communications with the command center prior to the team going in by the fresh air base.
- Rescue all live persons and bring them to the surface.
- Account for all missing miners.
- Show all conditions as they were found and conditions as left by the team on the team map.
- The team shall notify the command center immediately after they identify any missing persons and give their name.
- The team can not move any ventilation control that's anchored to the ground.
- A time limit of 80 minutes has been established for this problem. The team will be advised 10 minutes prior to this time limit expiring

Virginia Mining Institute

V- 1 – 13

Patient Note #1

(Patient Behind Water Over Knee Deep in # 2 Entry)

**“ Help, Help, get me out..... I have
Unsafe Roof Behind me”**

Virginia Mining Institute
V- 1 – 13
Patient Note #2
(Patient Behind Barricade in # 2 Entry)

**“ Help, Help, get me out..... I have a
Caved Area Behind me”**

Virginia Mining Institute
V- 1 – 13
Patient Note # 3
(Patient Behind Barricade in # 3 Entry)

“ Help, Help, get me out..... ”

Virginia Mining Institute

V- 1 – 13

Team Note #1

(Give to team when water roofed in the no. 3 entry is pumped)

**“ The Power Circuit to the No. 2 pump
has grounded out and the No. 2 pump has
stopped”**

Virginia Mining Institute

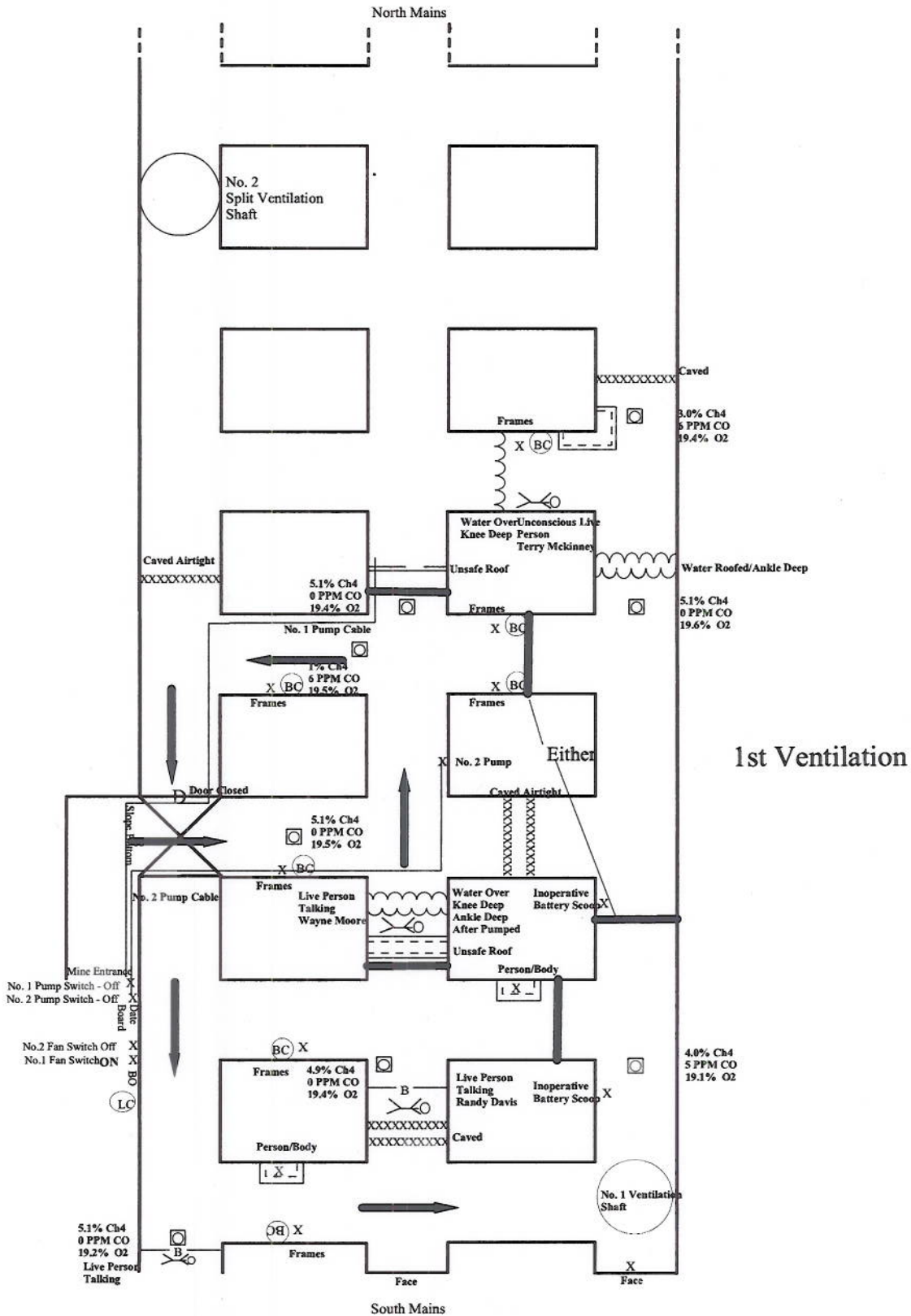
V- 1 – 13

Team Note # 2

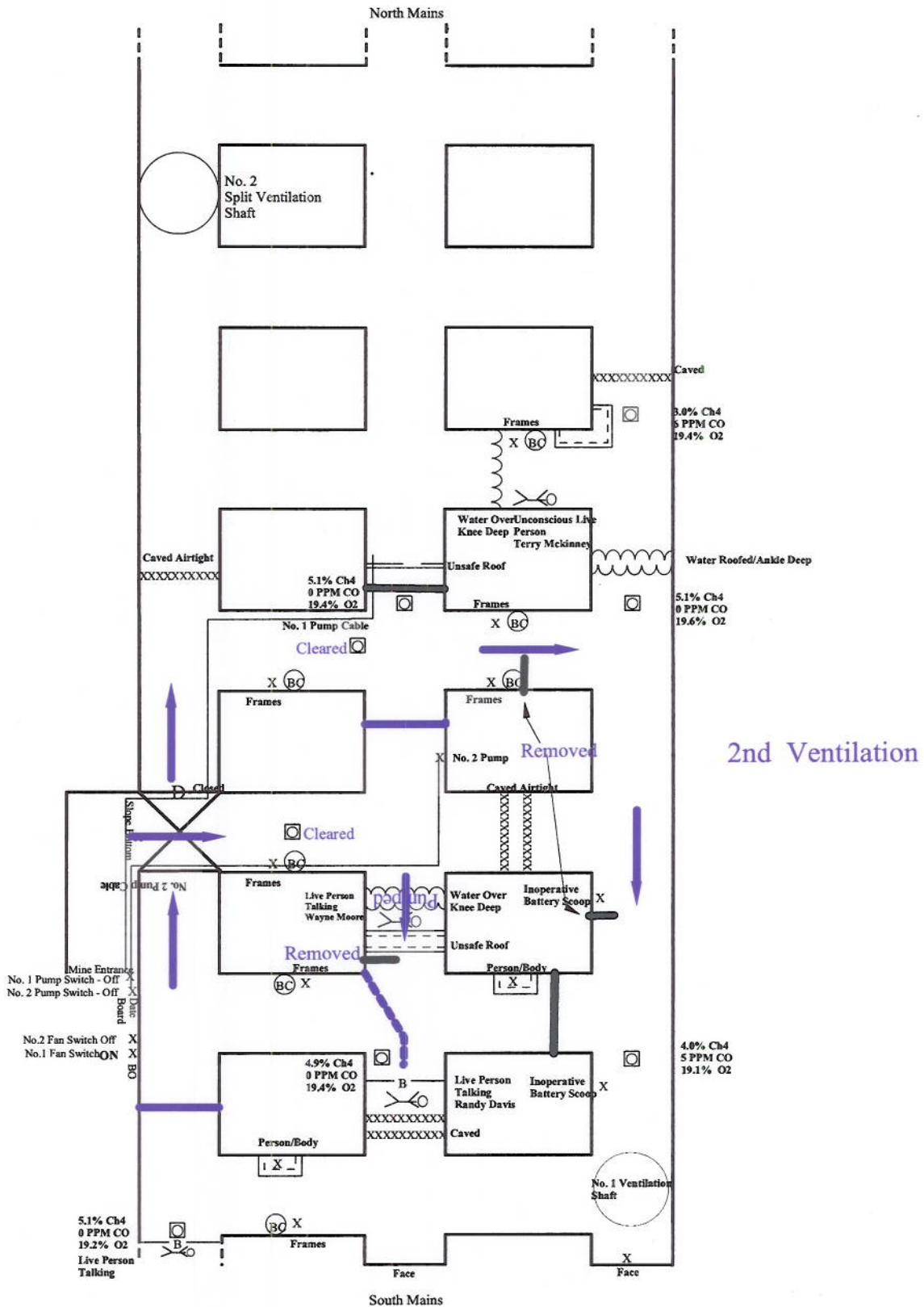
(Give to team when Terry Mckinney is brought to the surface)

“ Your exploration underground, today is completed, stop the clock and turn in your maps”

Virginia Mining Institute
 August 6, 2013
 V - 1 - 13



Virginia Mining Institute
 August 6, 2013
 V - 1 - 13



Virginia Mining Institute
 August 6, 2013
 V-1 - 13

