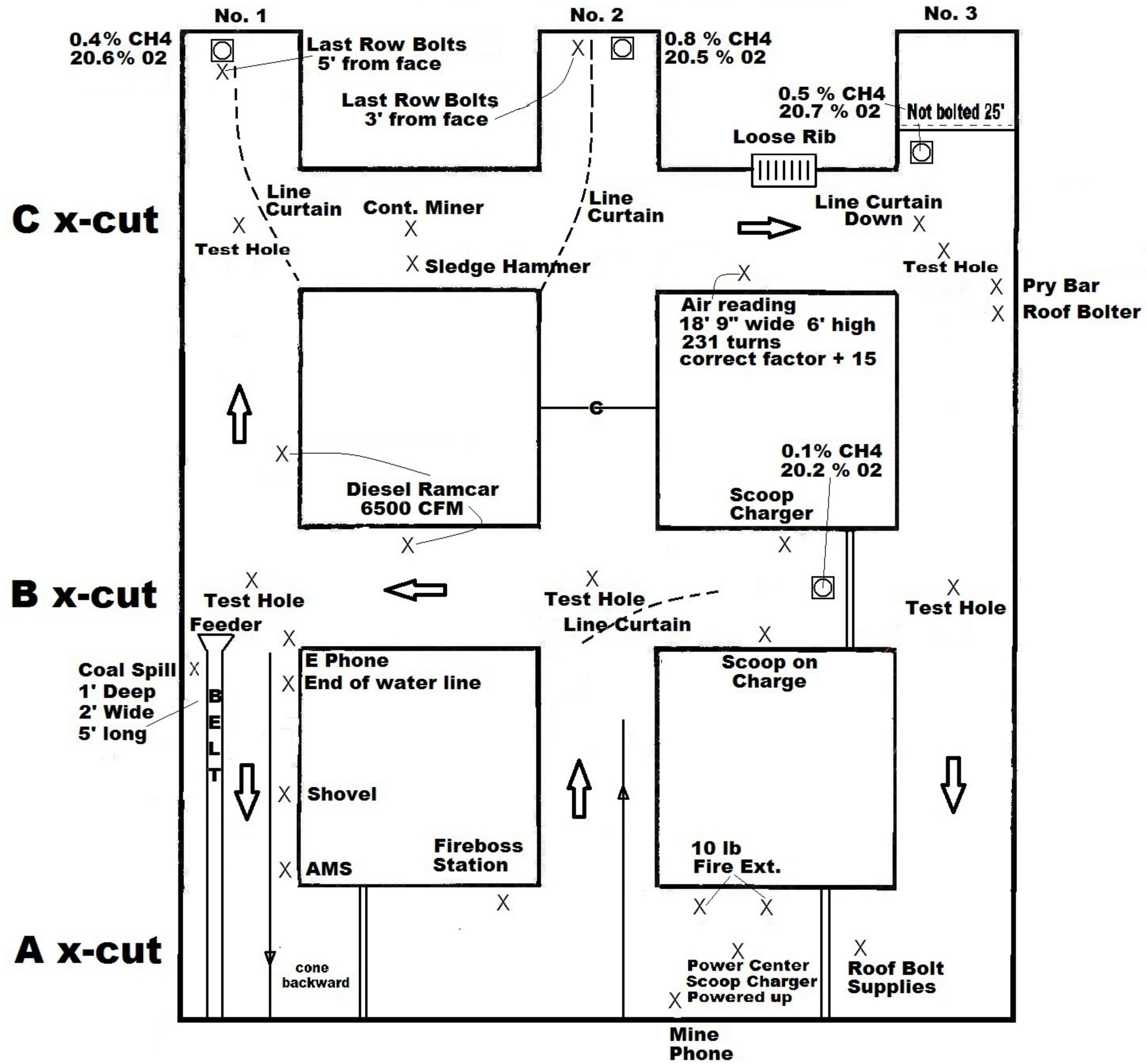
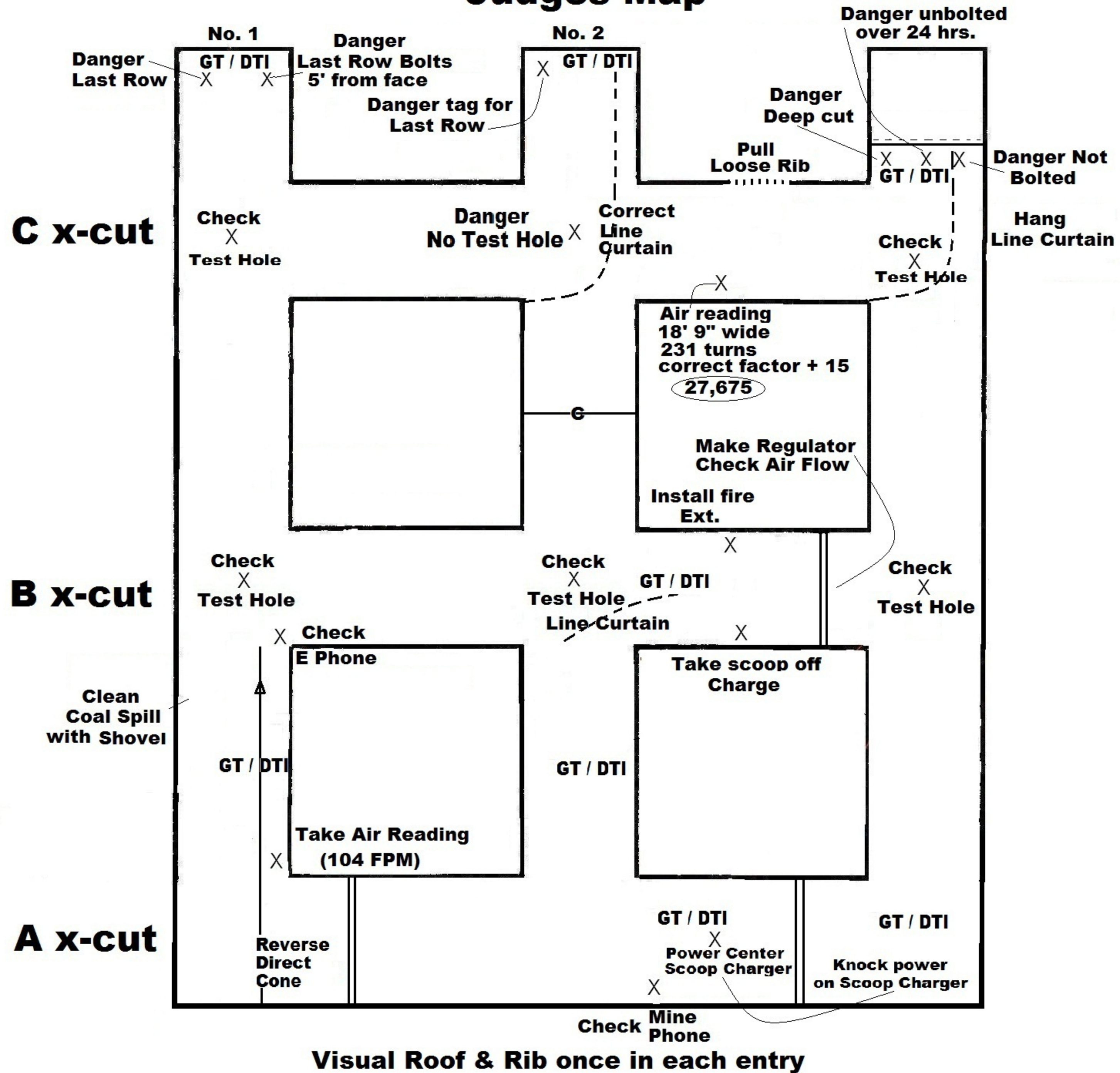


# KY Coal Academy 3rd Annual 2013 Pre-Shift Contest



# 2013 KCA PreShift Judges Map



Danger Last Row

No. 1

GT / DTI

Danger Last Row Bolts 5' from face

Danger tag for Last Row

No. 2

GT / DTI

Danger unbolted over 24 hrs.

Danger Deep cut

Pull Loose Rib

GT / DTI

Danger Not Bolted

**C x-cut**

Check Test Hole

Danger No Test Hole

Correct Line Curtain

Check Test Hole

Hang Line Curtain

Air reading 18' 9" wide 231 turns correct factor + 15  
27,675

Make Regulator Check Air Flow  
Install fire Ext.

**B x-cut**

Check Test Hole

Check Test Hole

GT / DTI

Line-Curtain

Check Test Hole

Clean Coal Spill with Shovel

Check

E Phone

GT / DTI

Take Air Reading (104 FPM)

GT / DTI

Take scoop off Charge

**A x-cut**

Reverse Direct Cone

GT / DTI

Power Center Scoop Charger

GT / DTI

Knock power on Scoop Charger

Check Mine Phone