

**2018  
KMI-  
KENTUCKY  
STATE MINE  
RESCUE  
CONTEST  
DAY 2**

MH

**KMI/KENTUCKY STATE MINE RESCUE CONTEST  
SUPERINTENDENT STATEMENT  
AUGUST 22, 2018**

Thank you for coming to help us. You are located on the surface at the top of the slope of the Lex-Co #1 mine. This mine was just starting out and is working to drive entries away from the slope and split air shaft.

There is a fan located on the intake side of the split shaft.

The mine has a history of bad roof, water and methane. The mine maps are up to date. We have a competent life line person to give and take life line signals if necessary.

Please find the 5 missing miners that were in this area of the mine that you will be exploring. Thank you and good luck.

## **PROBLEM**

**THE FAN LOCATED ON THE INTAKE SIDE OF THE SPLIT SHAFT IS OFF AND CAN BE STARTED BLOWING OR EXHAUSTING. DO NOT STALL THE FAN, AS IT WILL CAUSE DAMAGE TO IT.**

**BOTH THE INTAKE AND RETURN SIDE OF THE SHAFT IS SAFE TO VENTILATE THROUGH.**

**ACCOUNT FOR ALL 5 MISSING MINERS THAT ARE IN THE AREA YOU ARE EXPLORING AND BRING SURVIVORS TO THE SURFACE.**

**EXPLORE ALL AREAS OF THE MINE THAT CAN BE DONE SAFELY.**

**WHEN THE TEAM IS TRAVELING THEY CAN ONLY CARRY 2 TIMBERS PER WORKING TEAM MEMBER AND THEY MUST CARRY THEIR OWN TIMBER IN THEIR HANDS. BRATTICE CLOTH AND LINE CURTAIN MUST BE EITHER CARRIED IN THE HAND OR ON THE STRETCHER. NO THROWING, KICKING, PITCHING ETC. OF THE TIMBERS, WATER PUMP, BRATTICE CLOTH OR LINE CURTAINS BY THE TEAM MEMBERS.**

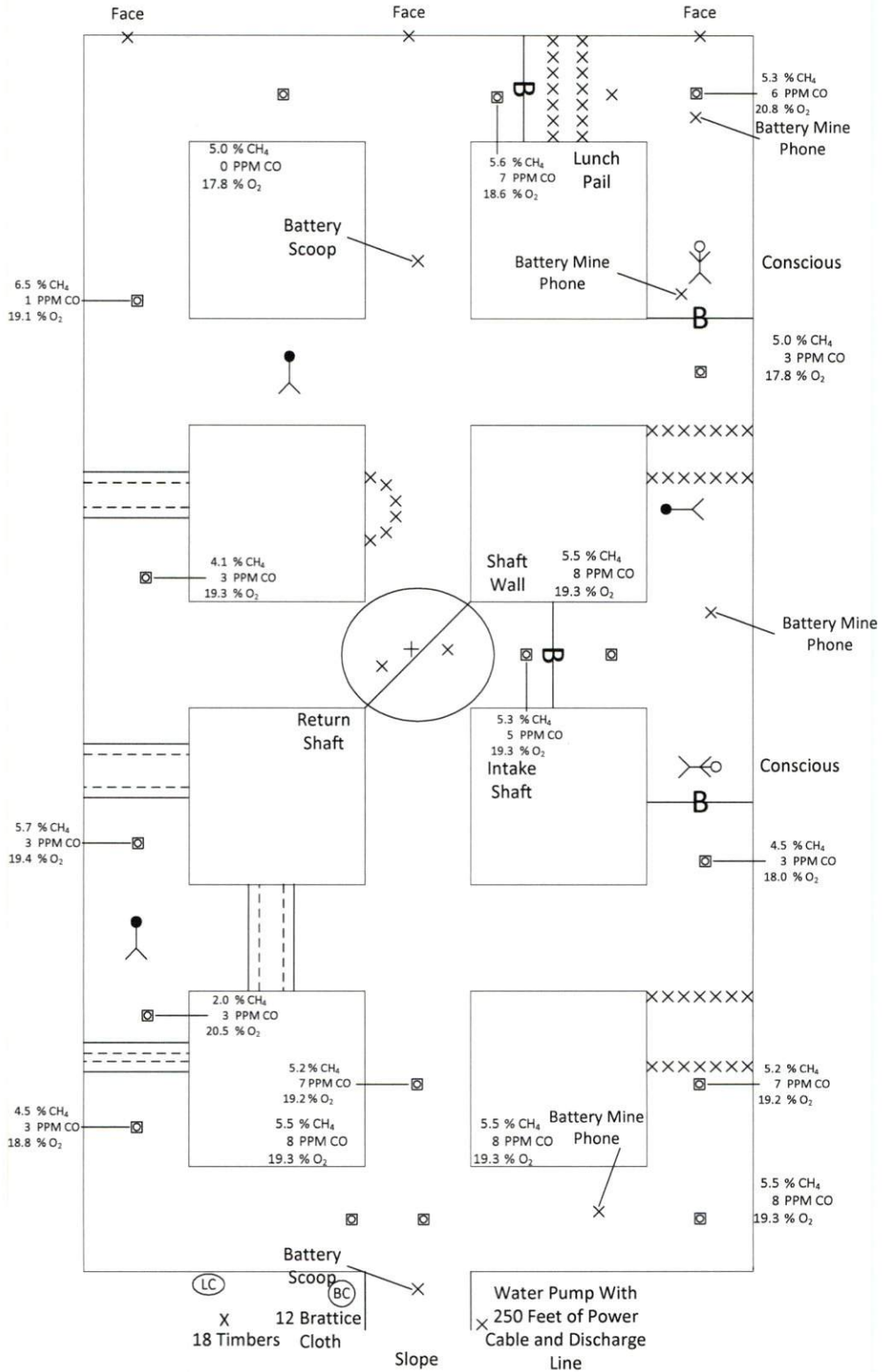
# **PATIENT STATEMENT 1**

**HELP GET ME OUT OF HERE.**

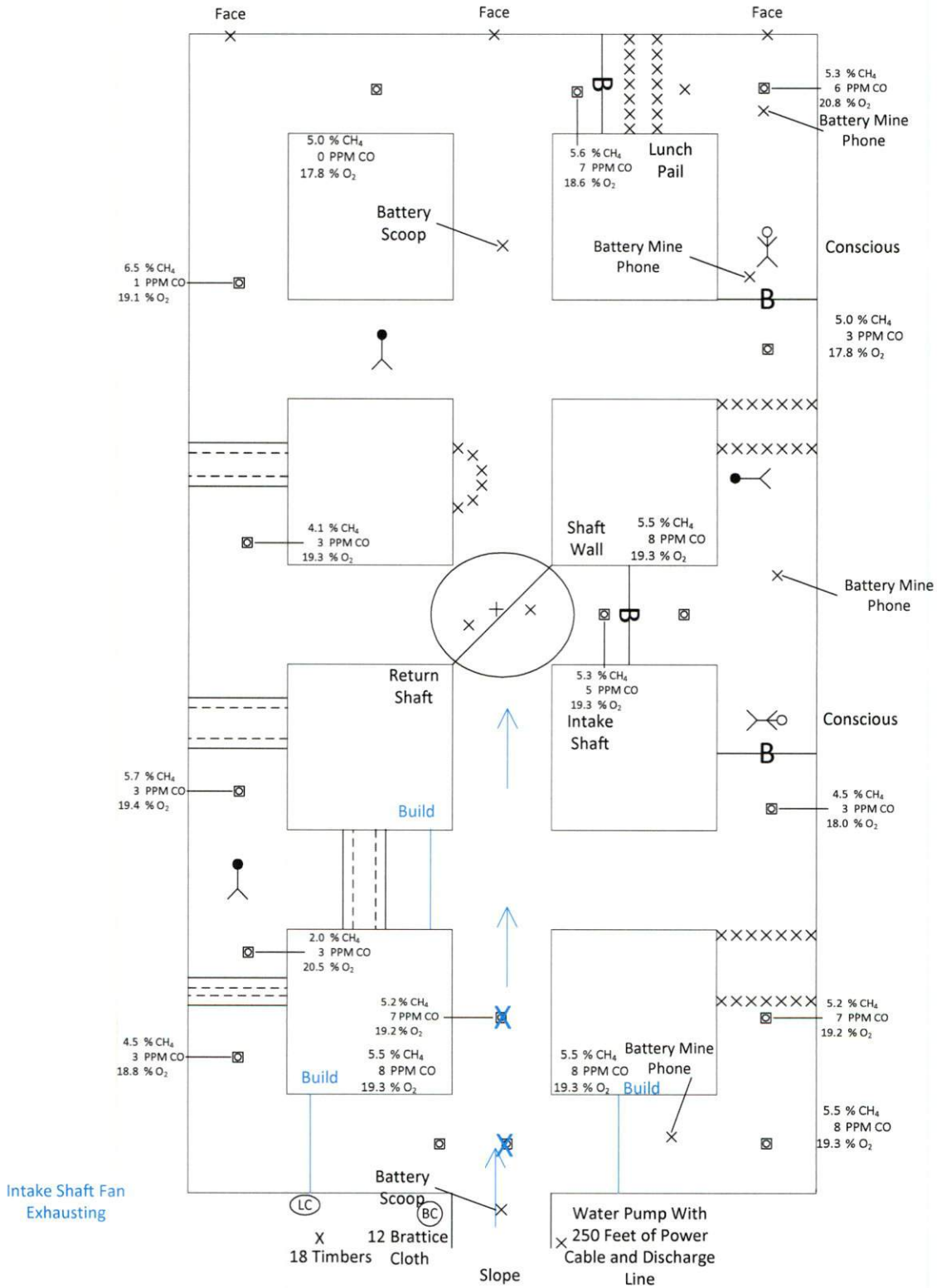
## **PATIENT STATEMENT 2**

**HELP GET ME OUT I AM  
HUNGRY.**

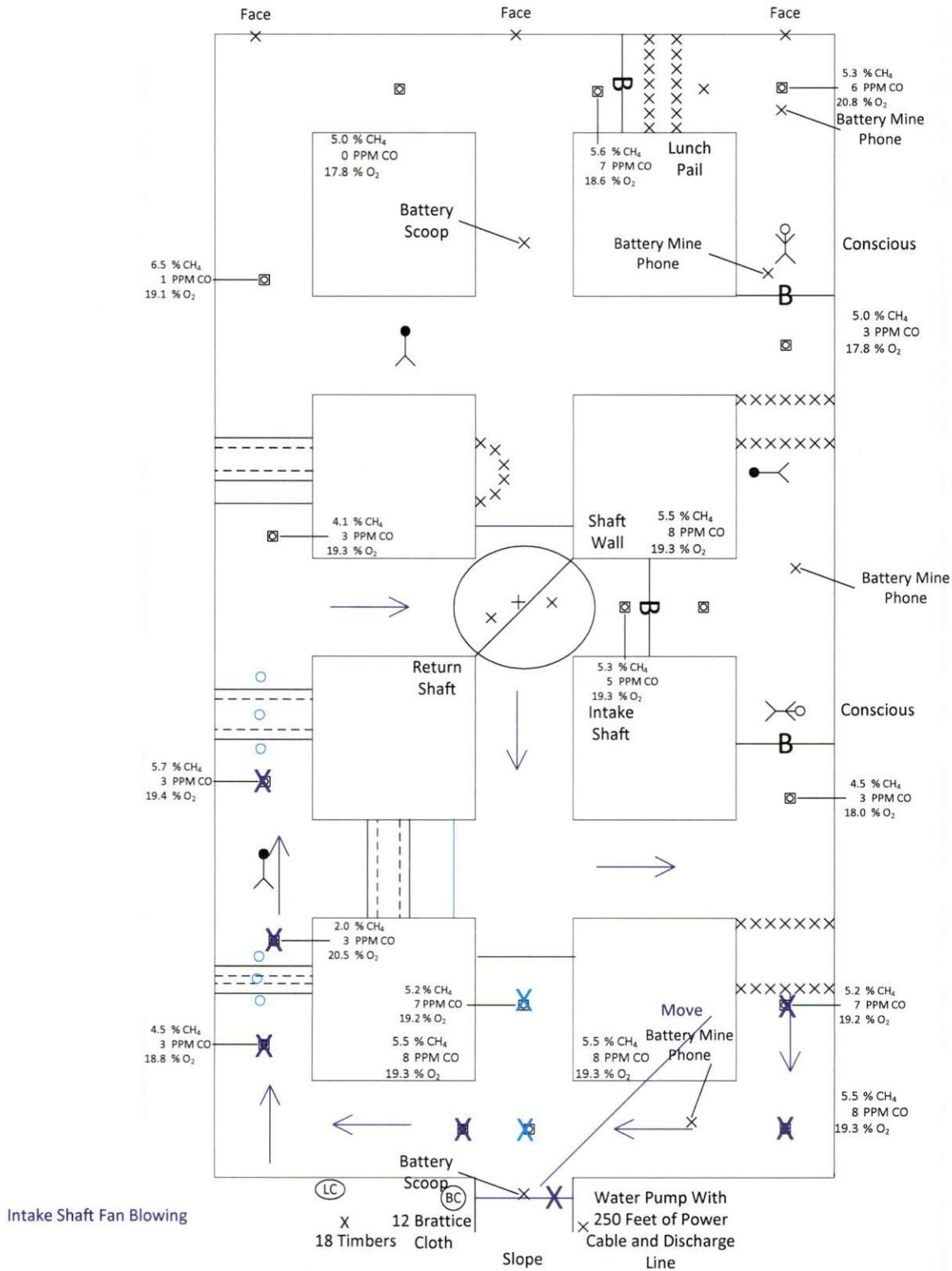
KMI 2018 DAY 2 PROBLEM MAP



KMI 2018 DAY 2 VENT 1



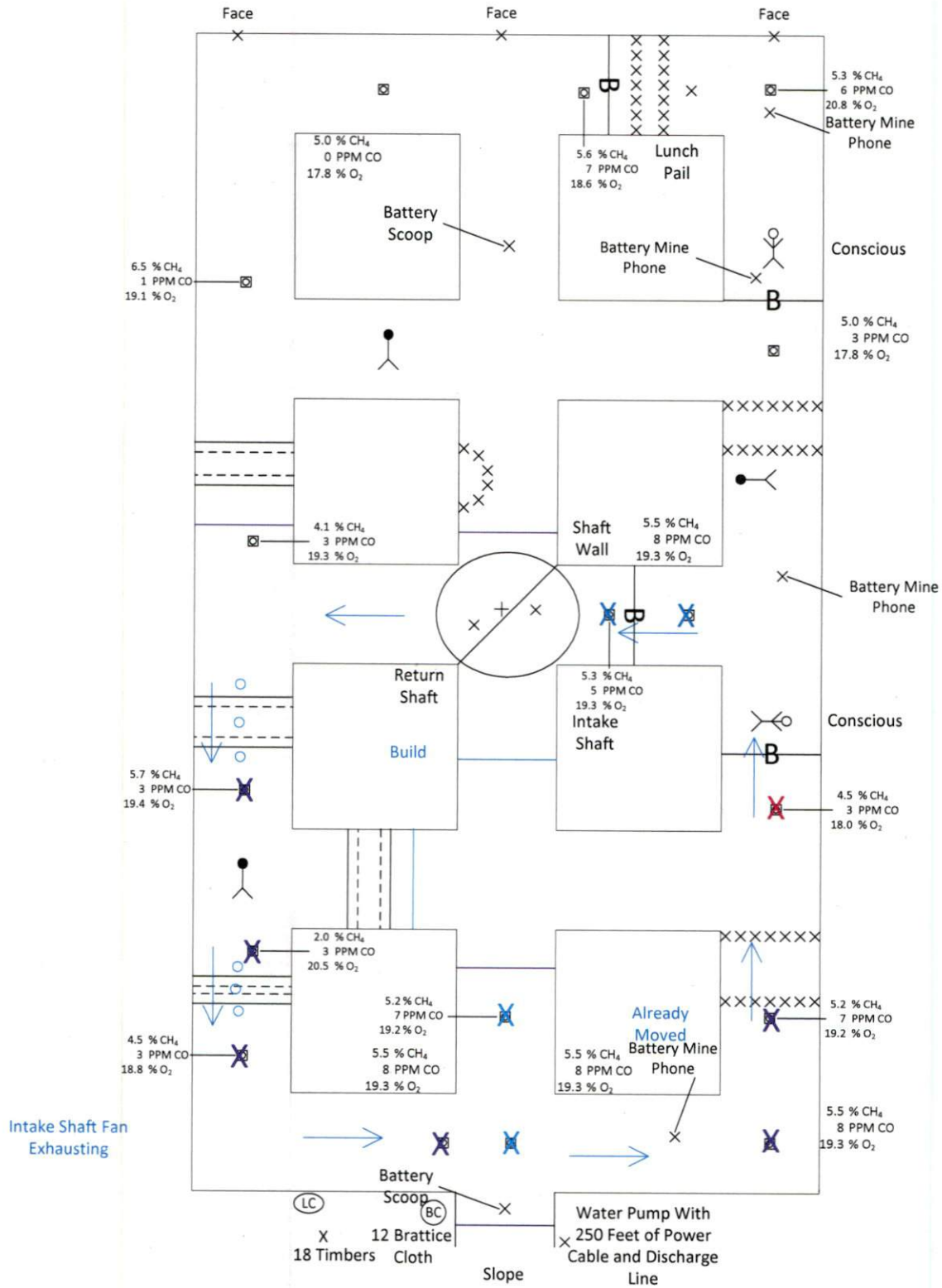
KMI 2018 DAY 2 VENT 2



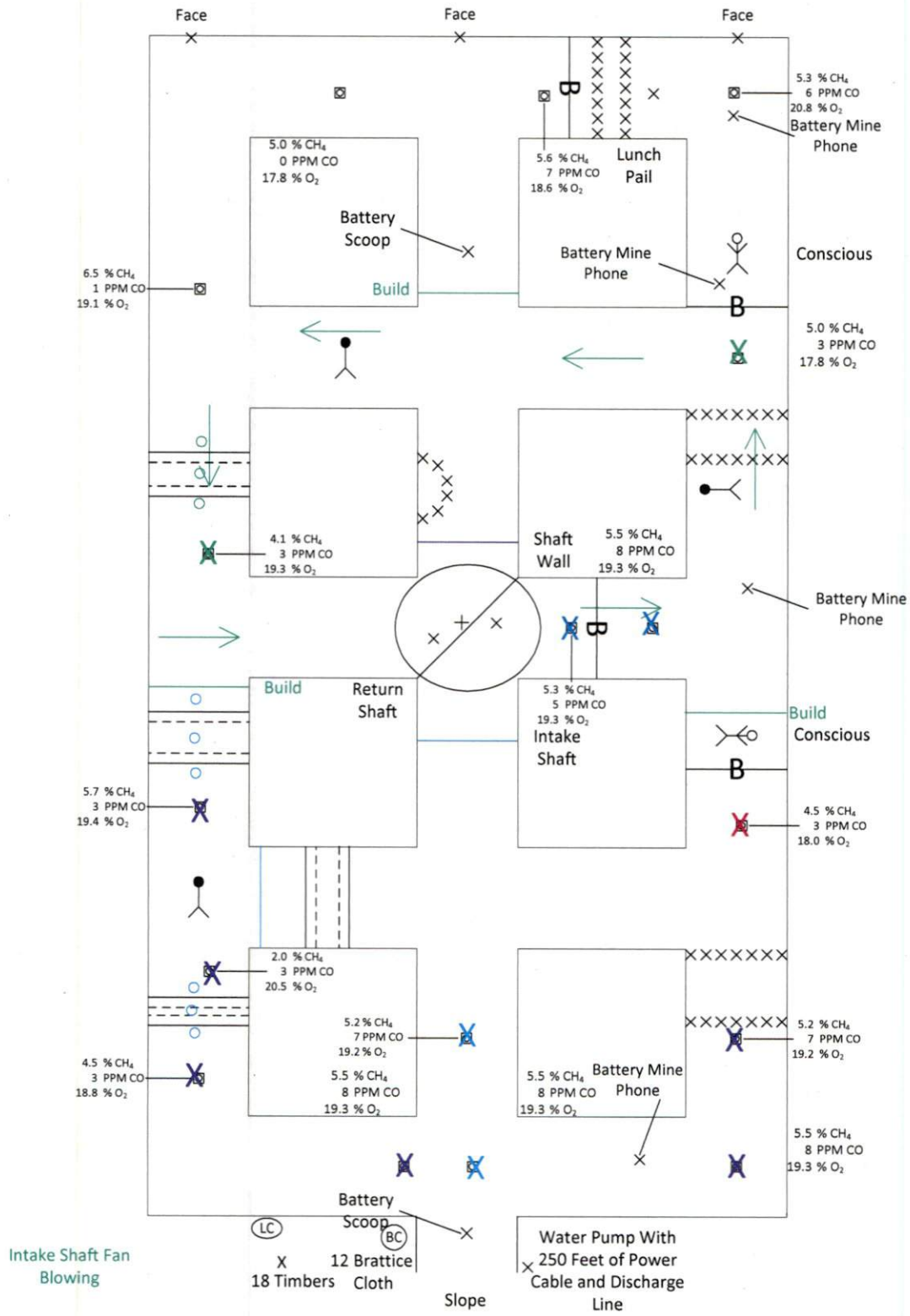




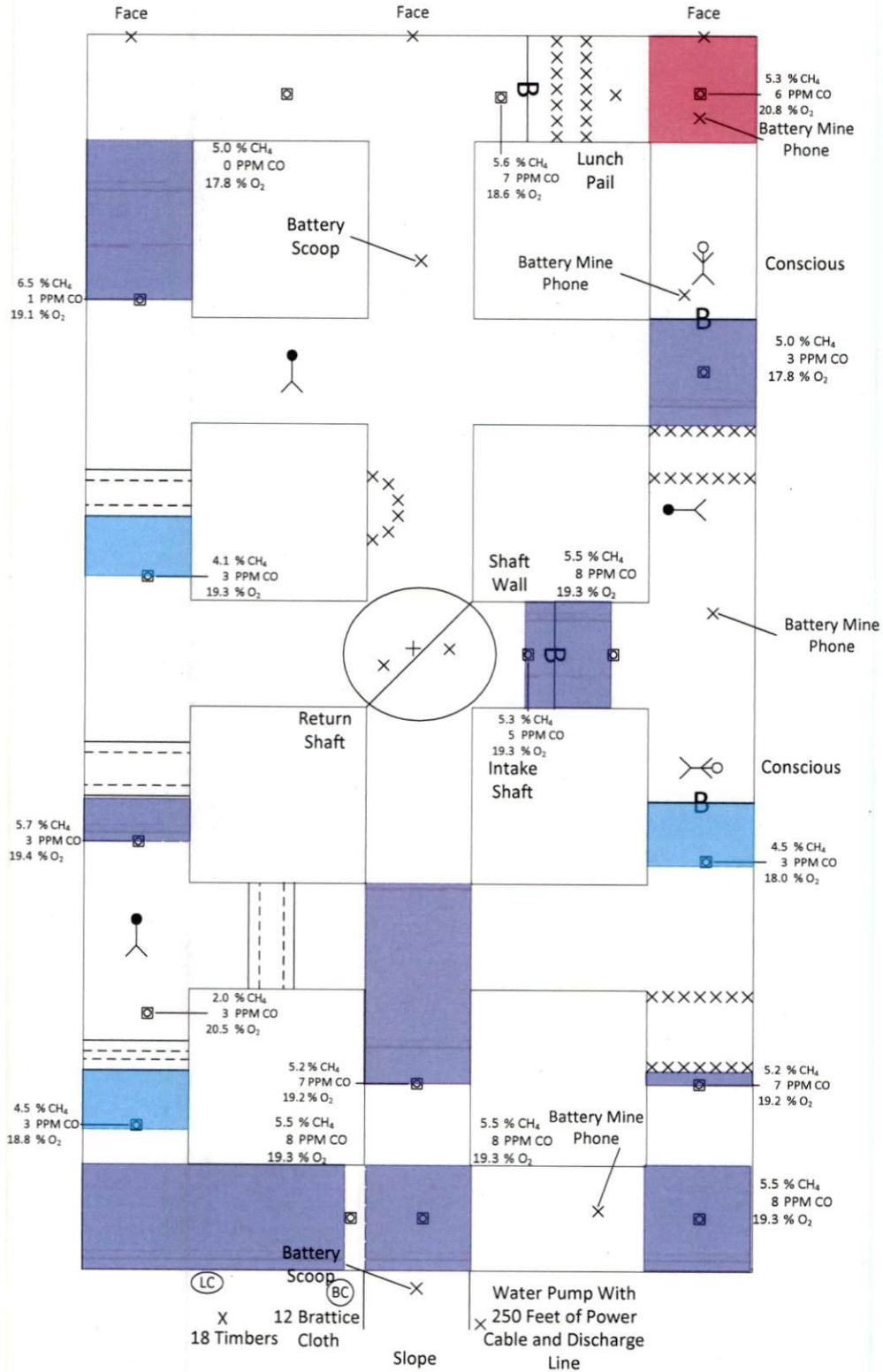
KMI 2018 DAY 2 VENT 4



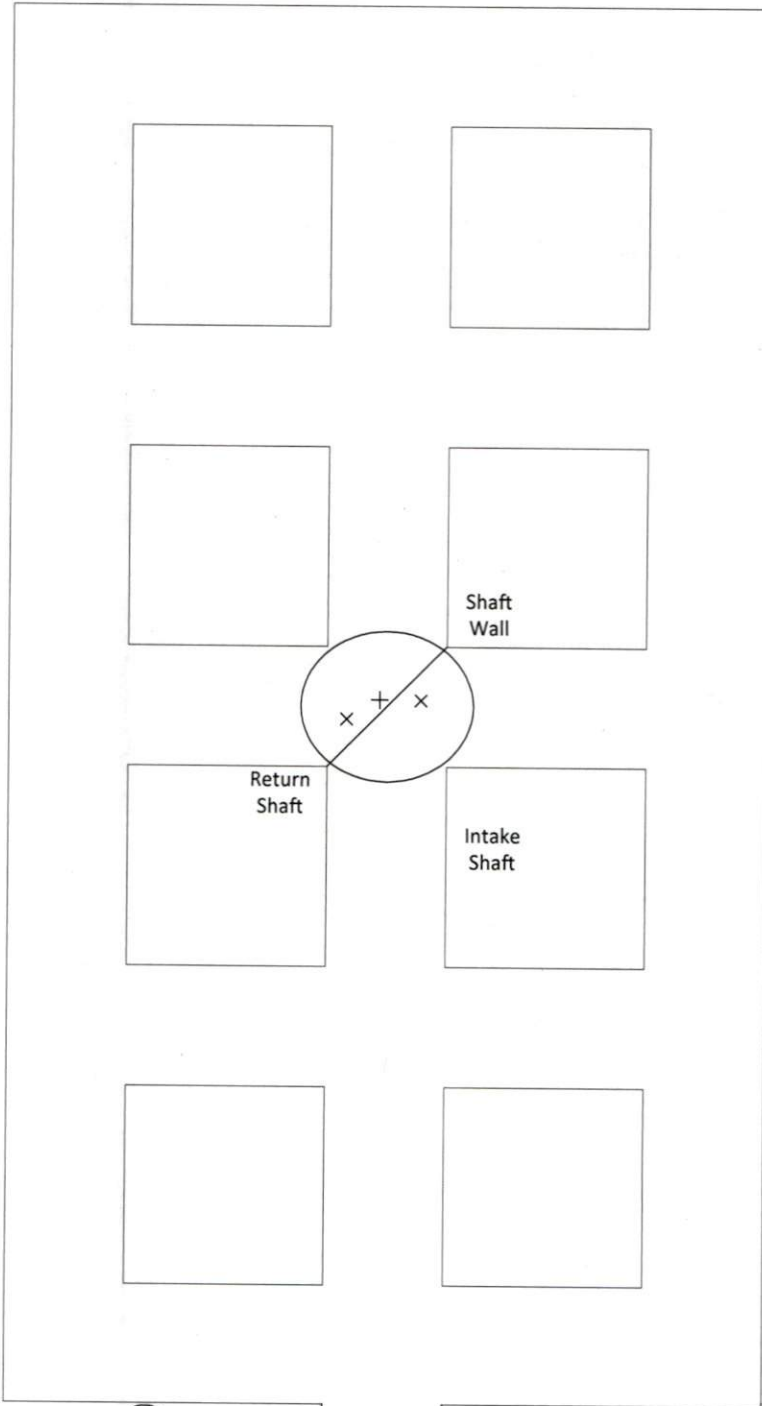
KMI 2018 DAY 2 VENT 5



KMI 2018 DAY 2 EXTENT OF GASES



KMI 2018 DAY 2 TEAM MAP



(LC) X 12 Brattice  
18 Timbers Cloth

Slope

(BC) X Water Pump With  
250 Feet of Power  
Cable and Discharge  
Line

KMI 2018 DAY 2 FINAL MAP

