

2018 Indiana State Mine Rescue and Pre-Shift Contest

Mine Rescue Problem



2018 INDIANA STATE MINE RESCUE STATEMENT

I am _____, Superintendent of the Federal #14 Mine. You are located on the surface of the mine. Last night a six (6) man crew entered the mine and proceeded to the #1 Unit to perform maintenance and set up to run coal. At 6:35 a.m. this morning a miner called to surface from the unit and said they were experiencing problems. No contact has been established with the miners since the call. At 6:50 a.m., three (3) miners made it out of the mine. The miners who came out said they could not find the other miners and had no contact with them.

The #1 Unit is developing the mine from a box cut but has already experienced bad roof and rib conditions, water problems, and high concentrations of methane gas. This area has been heavily mined in the past and we hope we haven't hit any unmapped old works. Our maps for this mine are up to date at this time.

The #1 Unit has been ventilated by a blowing fan that can be turned on or off if needed. The air enters the mine through an air shaft drilled into the mine in the #3 entry between XC #1 and XC#2. All power going into the mine has been de-energized and locked out. Air pumps can be used if available.

The three portal entries in the highwall face are where you will enter and exit the mine. The entries are numbered left to right (#1, #2, and #3).

All proper authorities have been notified, a command center has been established on the surface, back-up mine rescue teams are on mine property but cannot be used to perform work underground.

This is all the information we have available at this time.

**2018 INDIANA STATE
MINE RESCUE CONTEST**

WRITTEN INSTRUCTIONS

**EXPLORE THE MINE IN ITS ENTIRETY WHERE
SAFE TO DO SO. VENTILATE THE MINE AND
LEAVE THE MINE FOR BAREFACED
EXPLORATION.**

**THE FAN YOU ARE WORKING WITH CANNOT BE
REVERSED OR STALLED.**

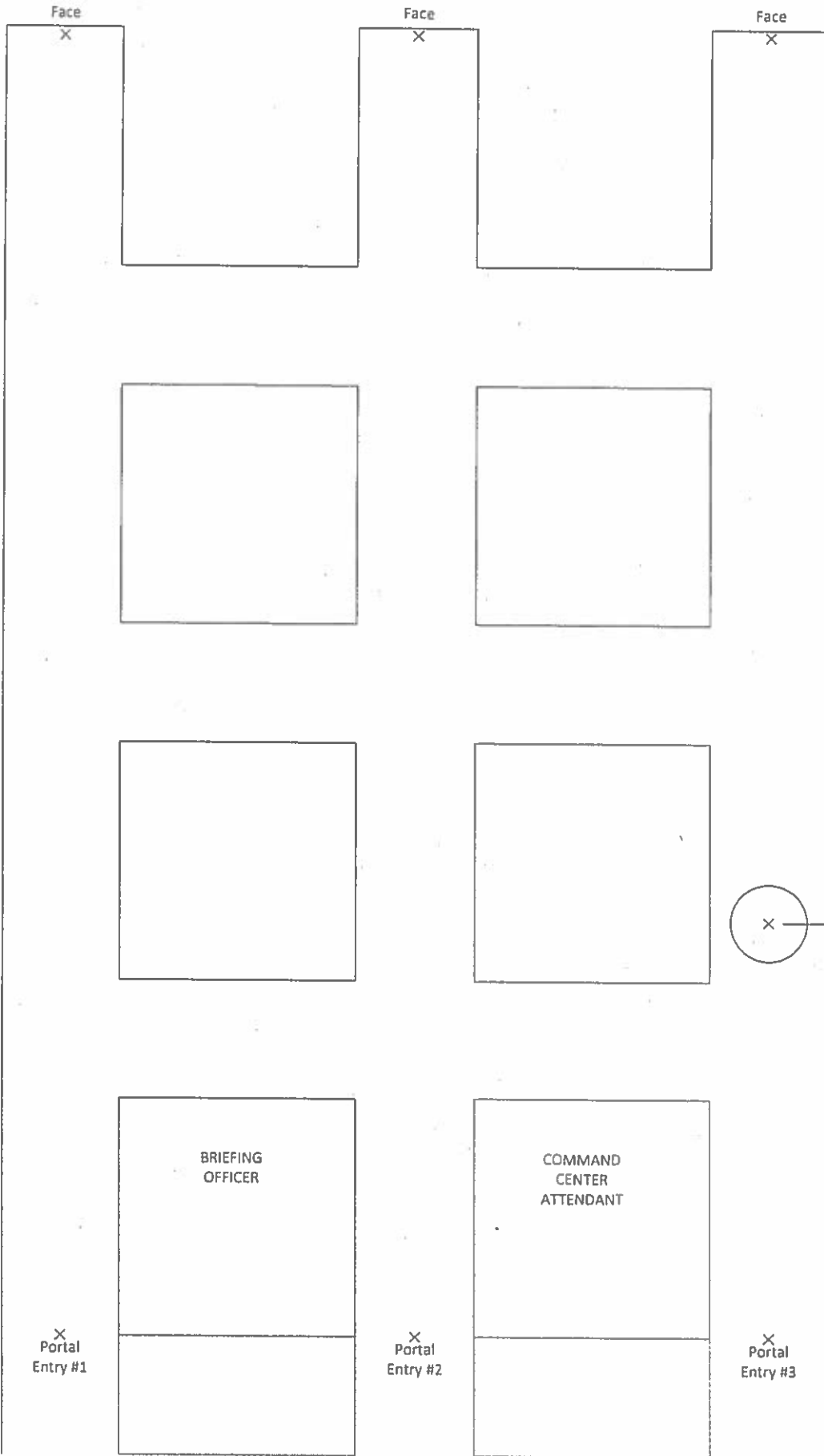
**ACCOUNT FOR ALL MISSING PERSONS AND
BRING ALL SURVIVORS OUTSIDE TO FRESH AIR.**

**THE TEAM MAY NOT CARRY MORE THAN TWO
(2) BRATTICE CURTAINS AT ANY ONE TIME
WHILE ADVANCING OR RETREATING.**

**IF ANY PERMANENT STRUCTURES ARE
ENCOUNTERED UNDERGROUND THEY CANNOT
BE REMOVED OR USED ANYWHERE BESIDES
THE LOCATION AT WHICH THEY ARE
DISCOVERED.**

BO/CCA MAP

Team Working Order # _____



2018 INDIANA STATE MINE RESCUE CONTEST

XC #3

XC #2

XC #1

Air Shaft with Blowing Fan

Portal Entry #1

Portal Entry #2

Portal Entry #3

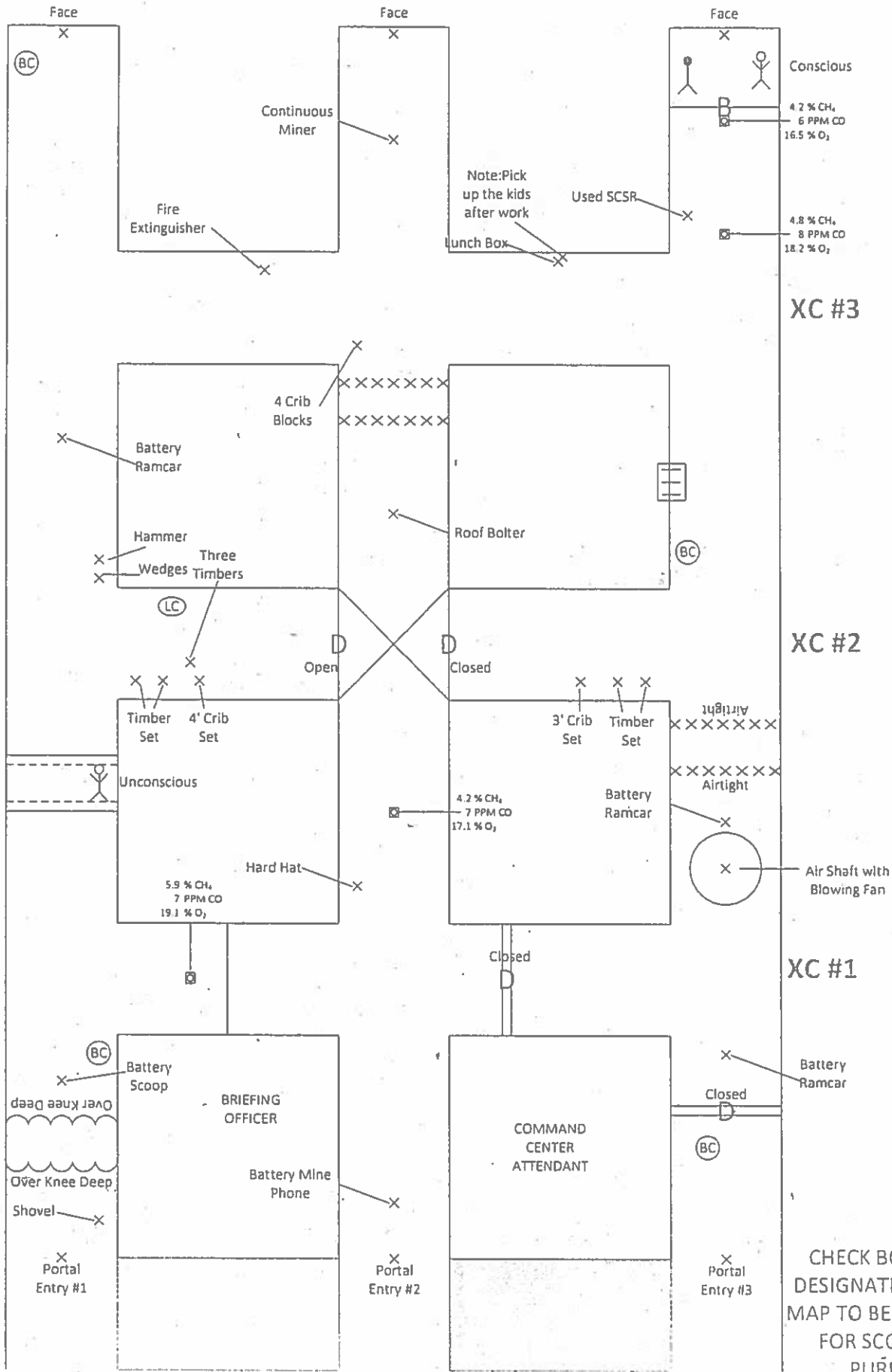
BRIEFING OFFICER

COMMAND CENTER ATTENDANT

CHECK BOX TO DESIGNATE THIS MAP TO BE USED FOR SCORING PURPOSES

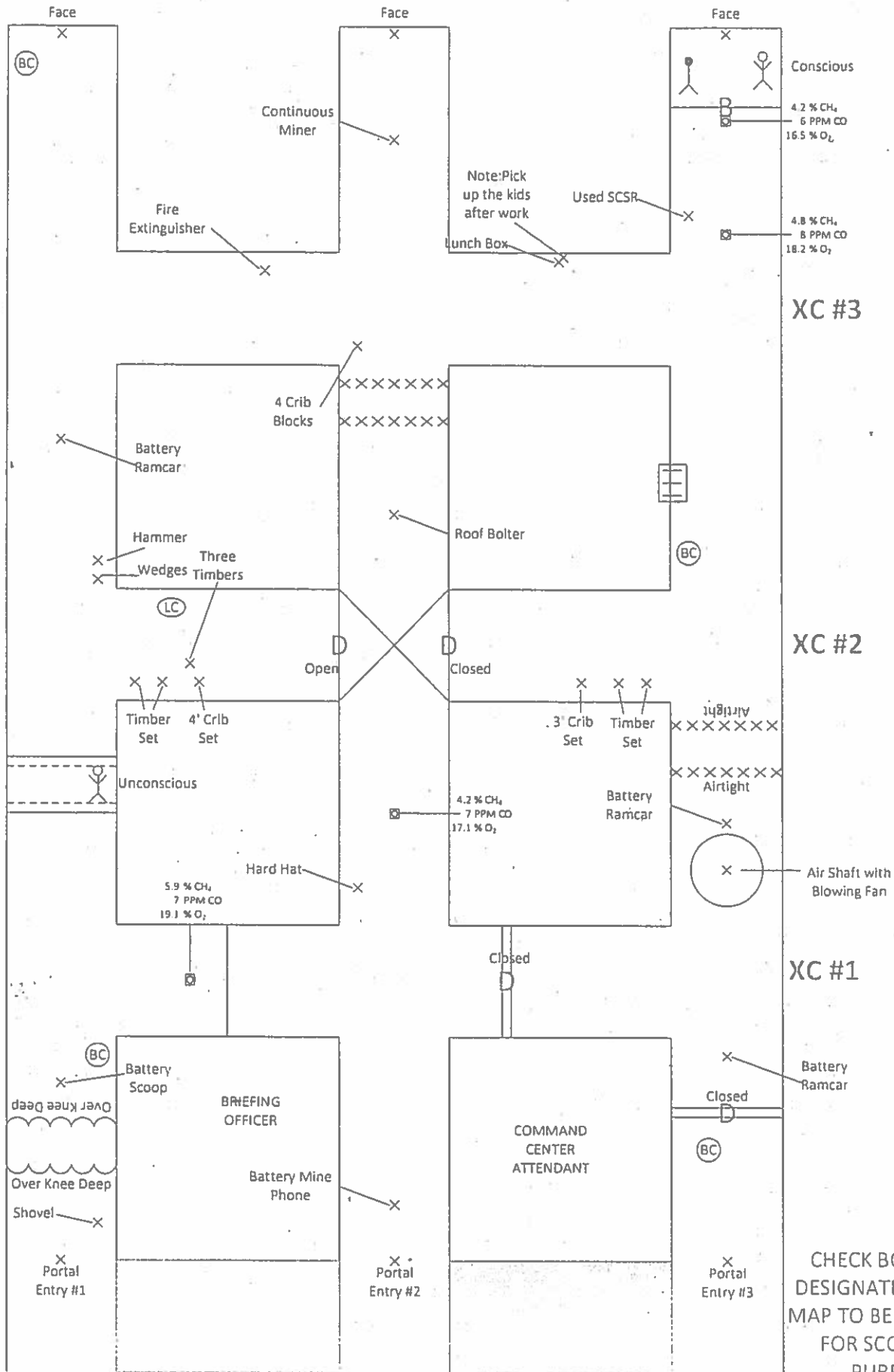
FIELD MAP

Team Working Order # _____



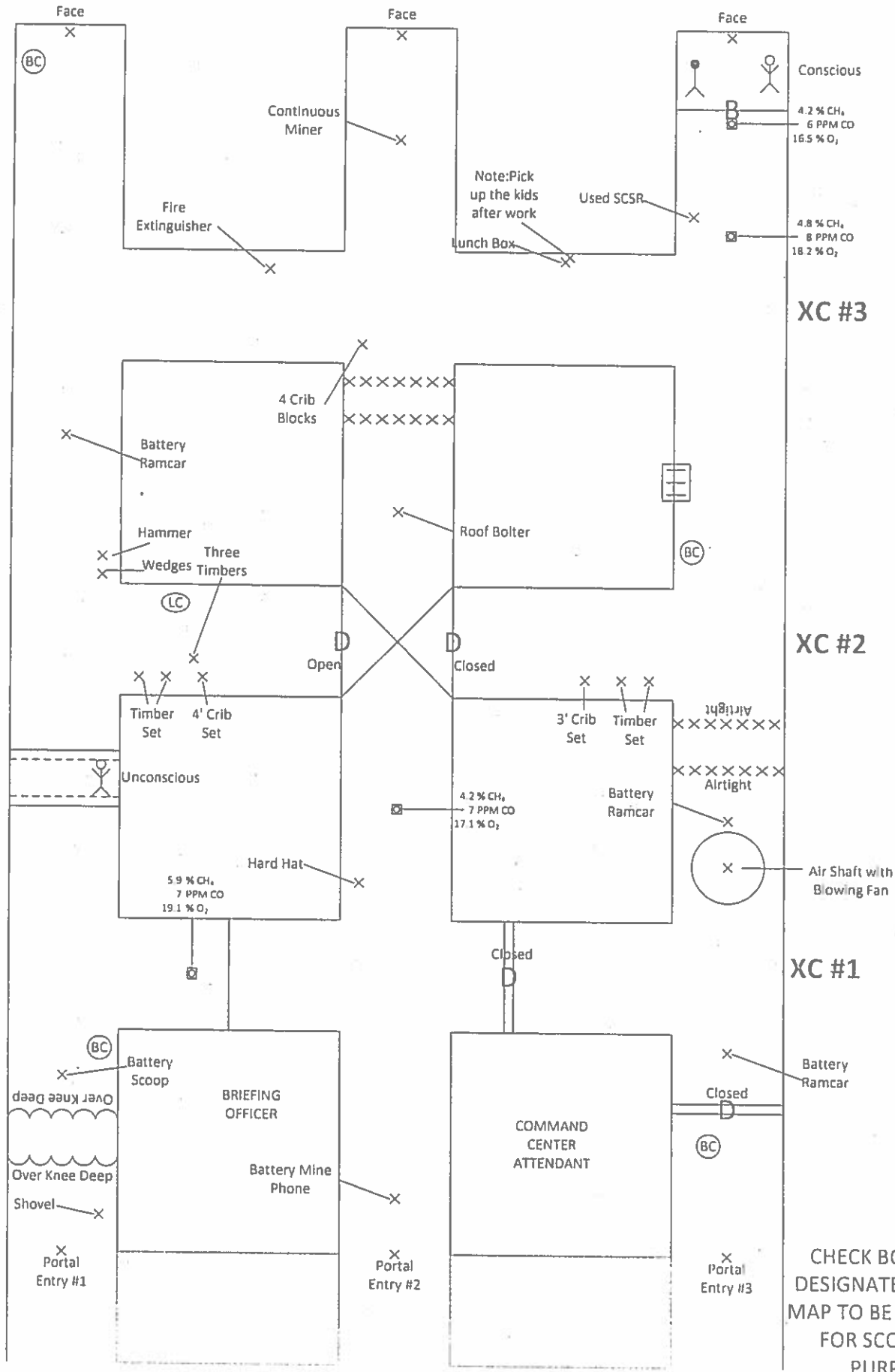
FIELD MAP

Team Working Order # _____



FIELD MAP

Team Working Order # _____



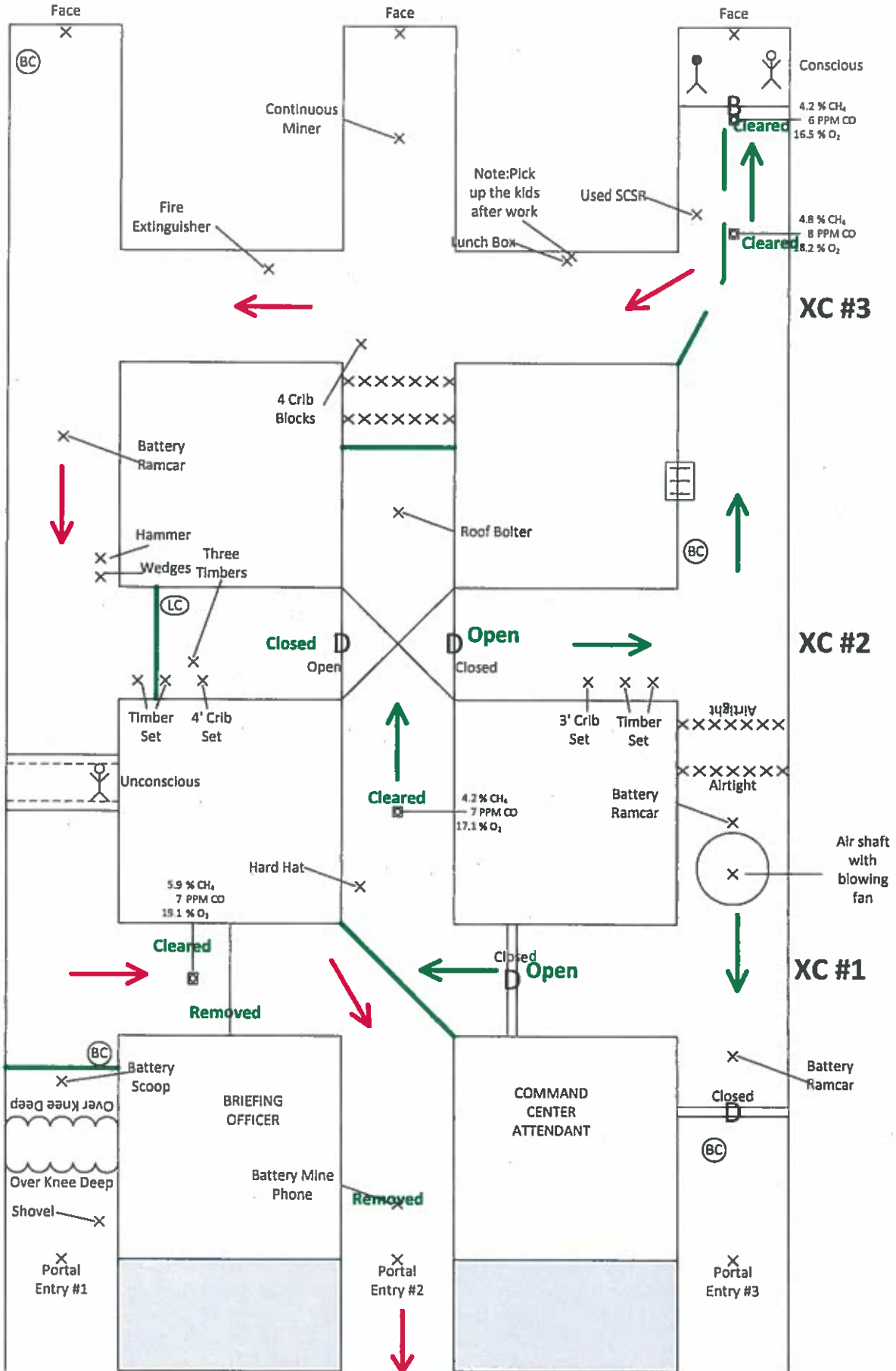
2018 INDIANA STATE MINE RESCUE CONTEST

CHECK BOX TO DESIGNATE THIS MAP TO BE USED FOR SCORING PURPOSES



1st VENT MAP

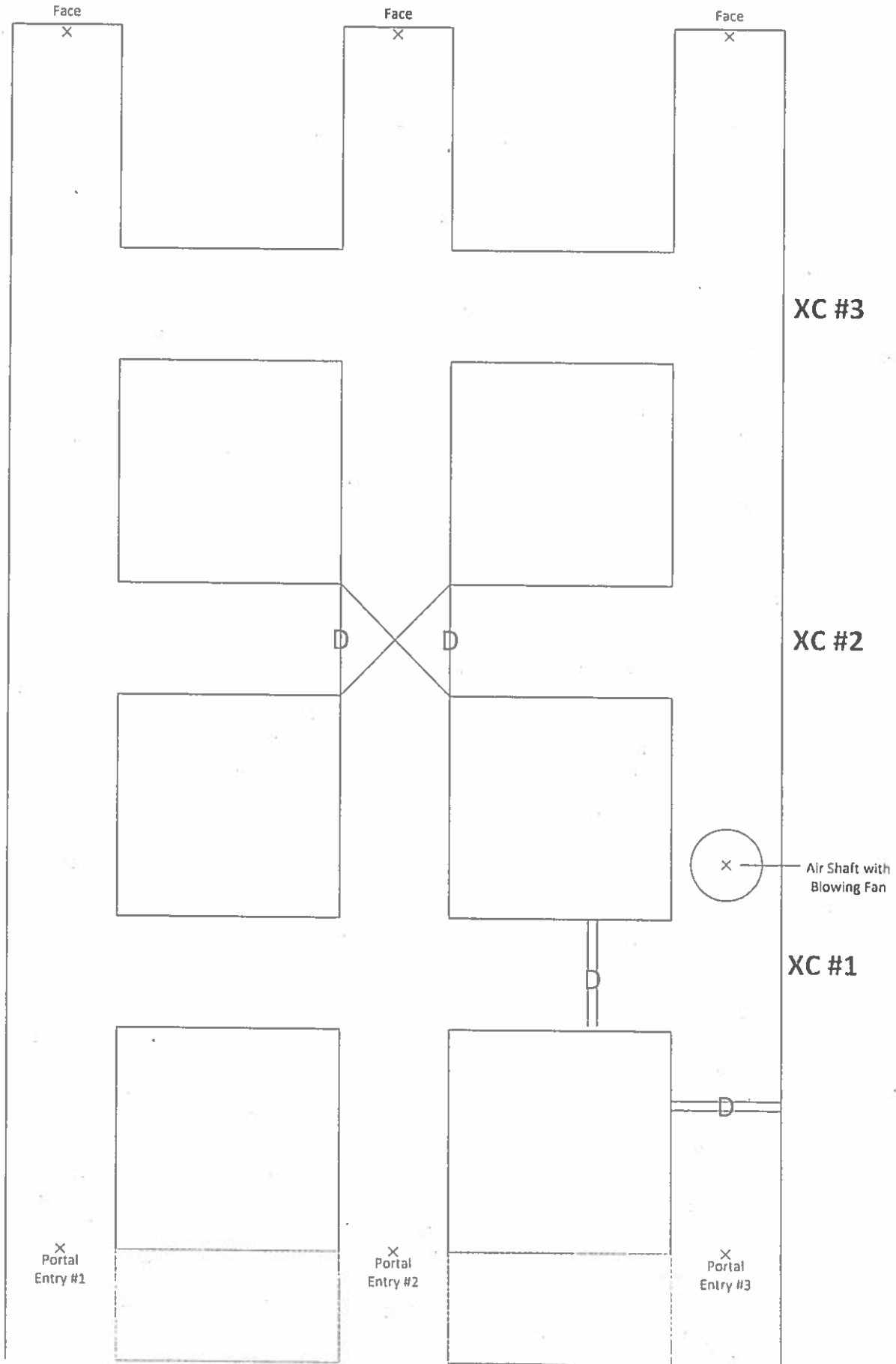
Team Working Order # _____



2018 INDIANA STATE MINE RESCUE CONTEST

FINAL VENT MAP

Team Working Order # _____



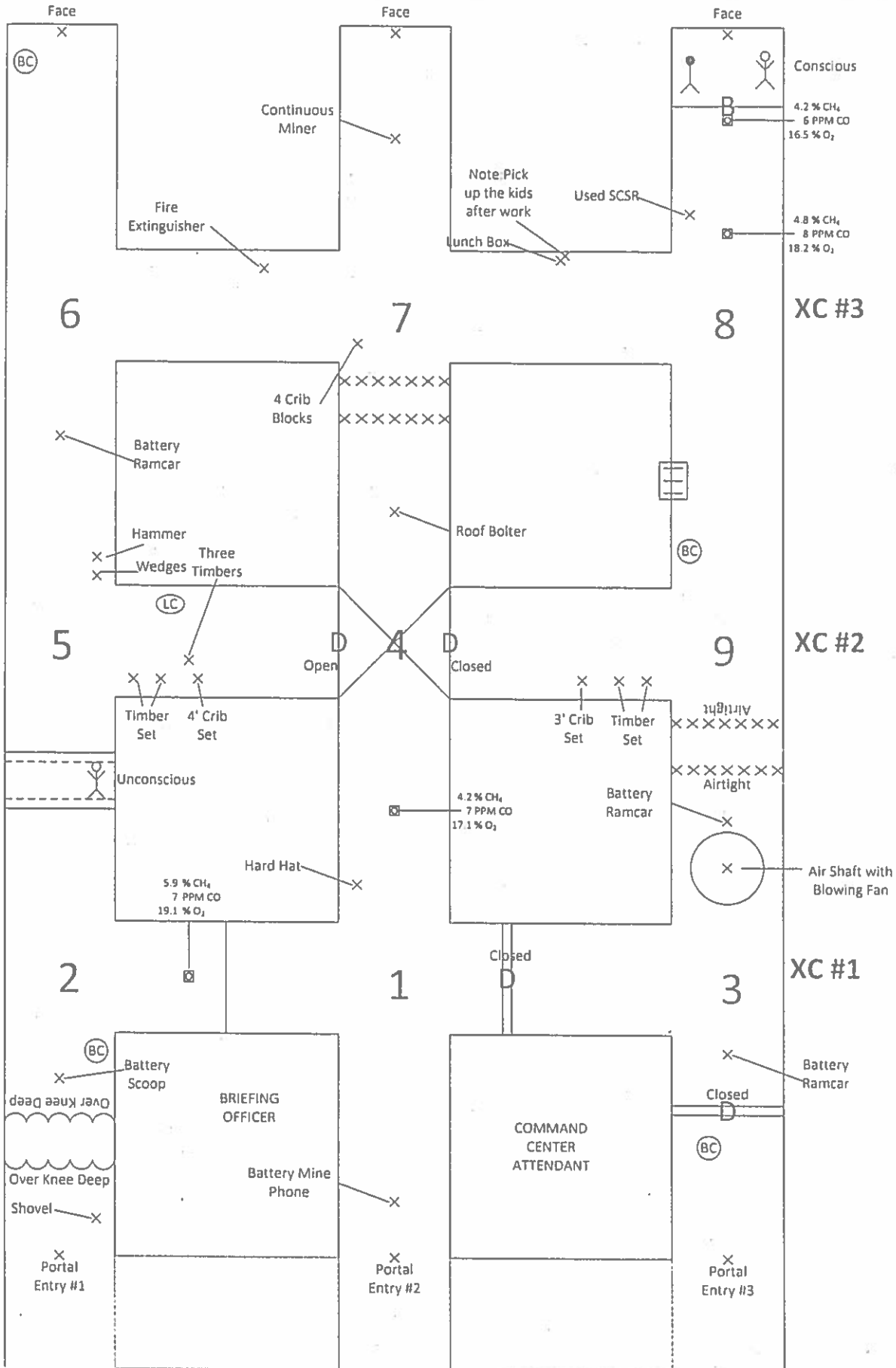
2018 INDIANA STATE MINE RESCUE CONTEST

TEAM CAPTAIN INITIALS _____

JUDGE/CHAIRMAN INITIALS _____

TEAM STOP MAP

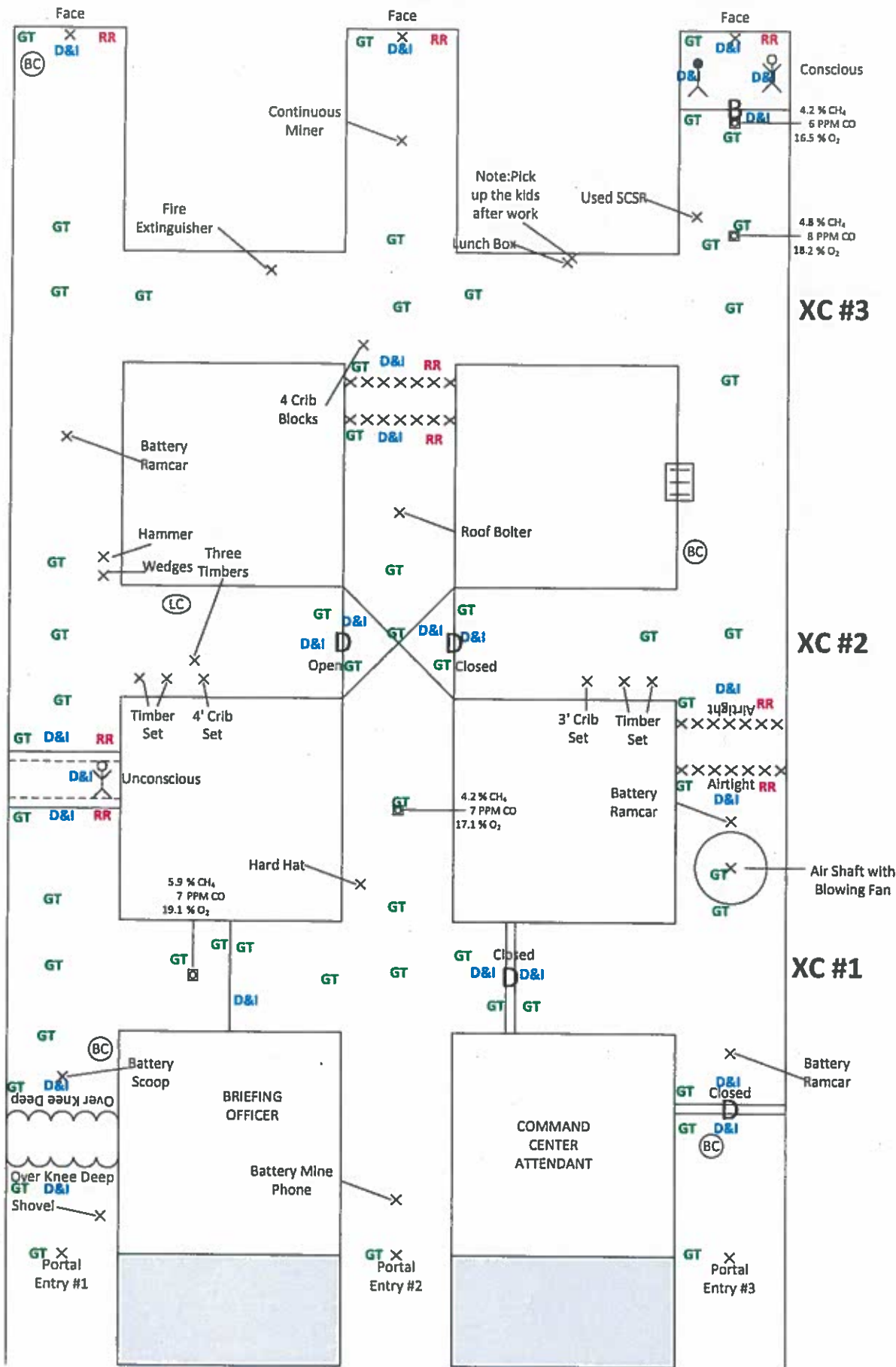
Team Working Order # _____



2018 INDIANA STATE MINE RESCUE CONTEST

GT RR D&I MAP

Team Working Order # _____



2018 INDIANA STATE MINE RESCUE CONTEST

D&I