

**Smoking and
the Use of All
Tobacco
Products are
Prohibited on
the Soccer
Field**

**POST 5
MINE
RESCUE
CONTEST
DAY 1**



**AUGUST 13, 2013
Mylan Park
MORGANTOWN, WEST VIRGINIA**

2013 Post 5 Mine Rescue Contest

Day 1

Statement

Welcome to the Red Dog Mine and thank you for responding to our emergency. This mine is a two unit drift mine ventilated with an exhaust fan located on the surface in No. 3 entry. The two- five man crews entered the mine and proceeded to their respective sections, 1 East and 1 North Sections for the afternoon shift for normal production activities. At about 5:35 PM, the 1 North crew called out and reported that they had felt and heard a loud concussion. They said it sounded like a huge roof fall. At about the same time the AMS (Atmospheric Monitoring System) sensors located in the 1 East Section went into alarm. Attempts were made to contact anyone on the 1 East Section without success. The 1 North Section crew were directed to immediately come to the surface. The five man crew from the 1 North Section reached the surface a short while ago. Mine Rescue teams, State and Federal authorities have been notified. A Mine Rescue Team has explored the mine up to the 39th crosscut of the 1 East Section and established a Fresh Air Base at that location, where you will be taken to begin your exploration of the 1 East Section.

The main fan is currently running. The fan cannot be stopped, stalled or reversed. Air is entering the fresh air base from No. 1 entry, and returning out No. 3 entry. The briefing officer's designated area is located in the fresh air base. The briefing officer's area becomes a self-contained, airtight chamber when the door is closed. To accomplish this, attach the curtain on the briefing officer's blind on both sides.

The mine is walking height, and we have encountered adverse roof conditions, water and methane. All electrical circuits have been de-energized, locked and tagged out inby the fresh air base.

You will have a maximum of 80 minutes to work the problem. Mine maps (up-to-date as of the end of day shift) and the written problem will be given to you when you arrive at the Fresh Air Base and are ready to begin.

Good Luck

**2013 Post 5 Mine Rescue Contest
Day 1
Problem
(Written Instructions)**

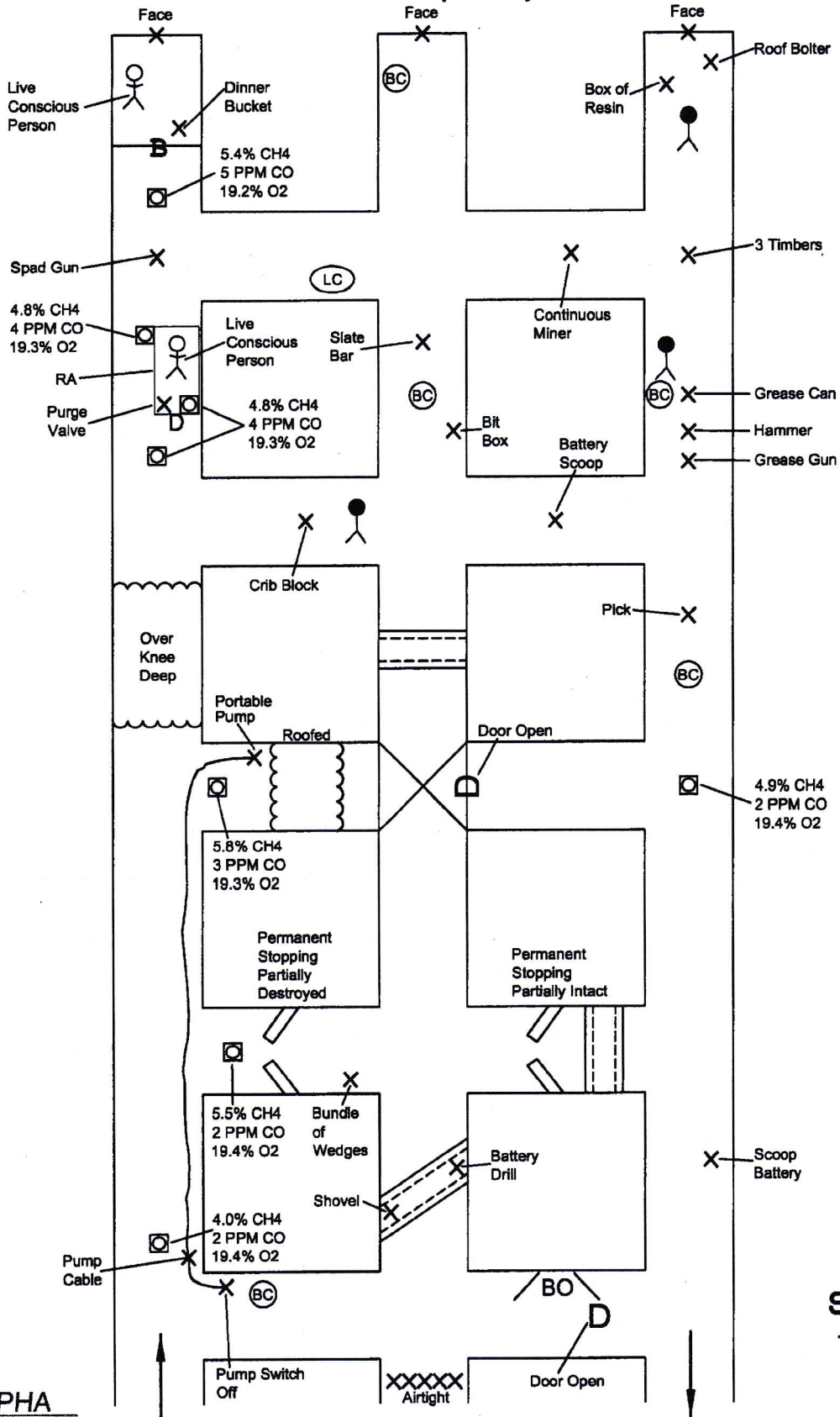
**EXPLORE ALL AREAS OF THE MINE THAT
CAN BE SAFELY EXPLORED**

**ACCOUNT FOR ALL MISSING MINERS
AND BRING SURVIVORS TO THE FRESH
AIR BASE**

**THE TEAM MAY NOT CARRY MORE
THAN TWO (2) BRATTICE CLOTHS AT
ANY ONE TIME**

**YOU HAVE A MAXIMUM OF 80
MINUTES TO WORK THE PROBLEM**

2013 Post 5 Mine Rescue Contest Problem Map - Day 1



**Scale
1"=20'**

2013 Post 5 Mine Rescue Contest

Possible Team Stops - Day 1

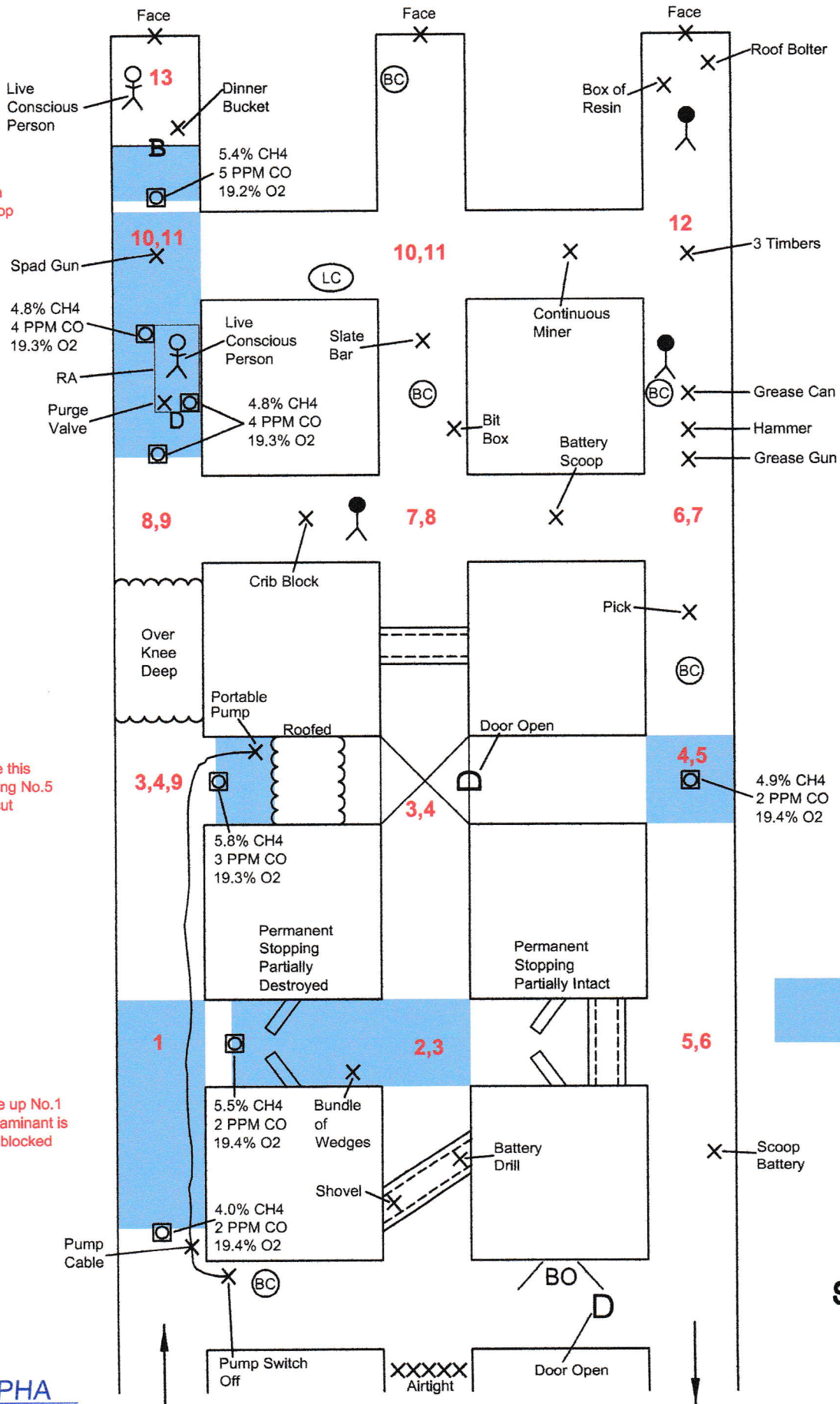
After team stop 11, team can now ventilate RA. If team advances to team stop 12, discount under Rule 42C.

Since No.1 entry contains a contaminant, team must advance up No.1 or No.2 entry

Team must examine this area before advancing No.5 man in by "C" crosscut

Team must advance up No.1 entry since the contaminant is in No.1 and No.2 is blocked

After ventilating RA and retrieving patient, team can proceed to team stop 12. Team can now ventilate barricade



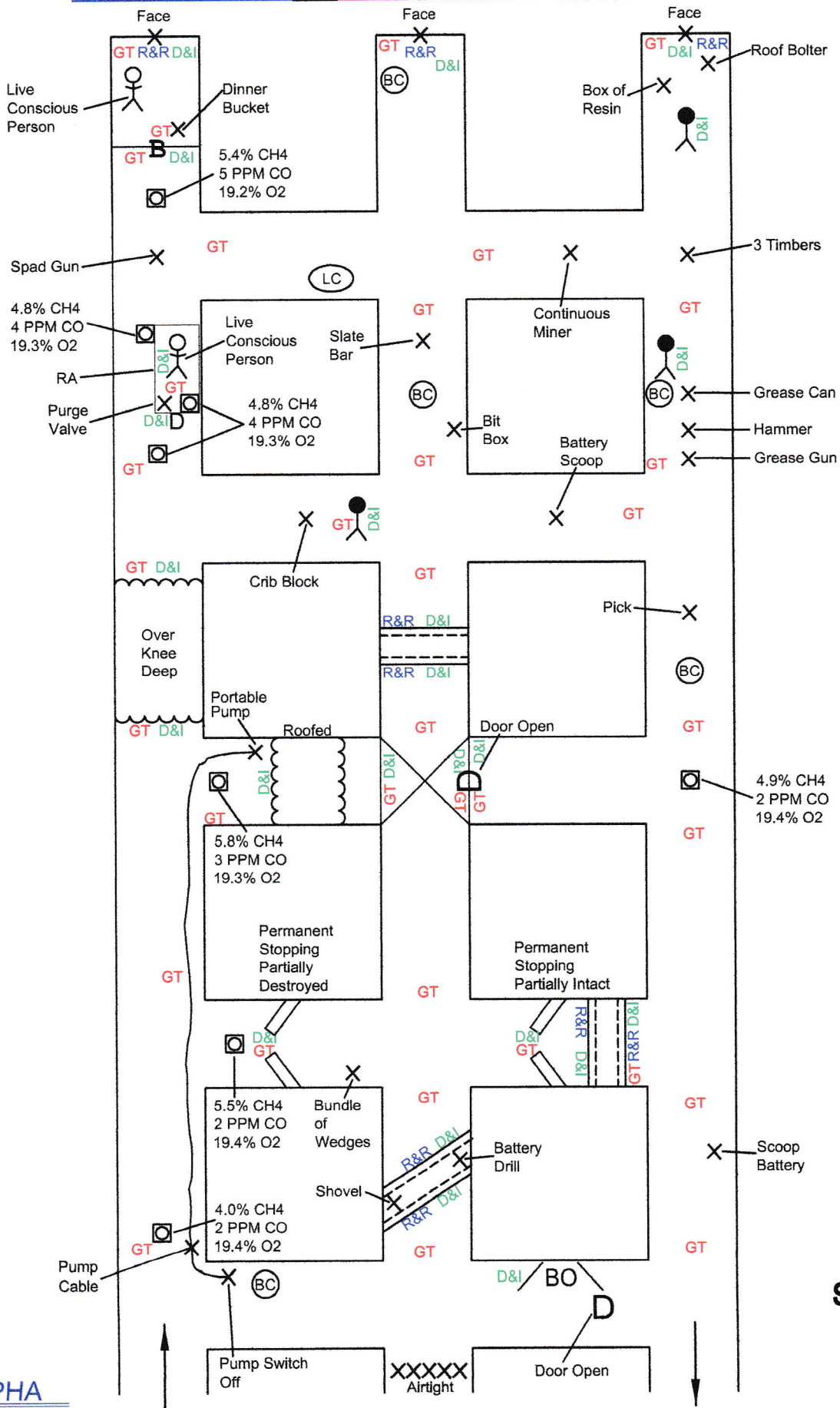
Scale
1"=20'

2013 Post 5 Mine Rescue Contest

R&R Roof & Rib Test

GT CH4-O2-CO Test

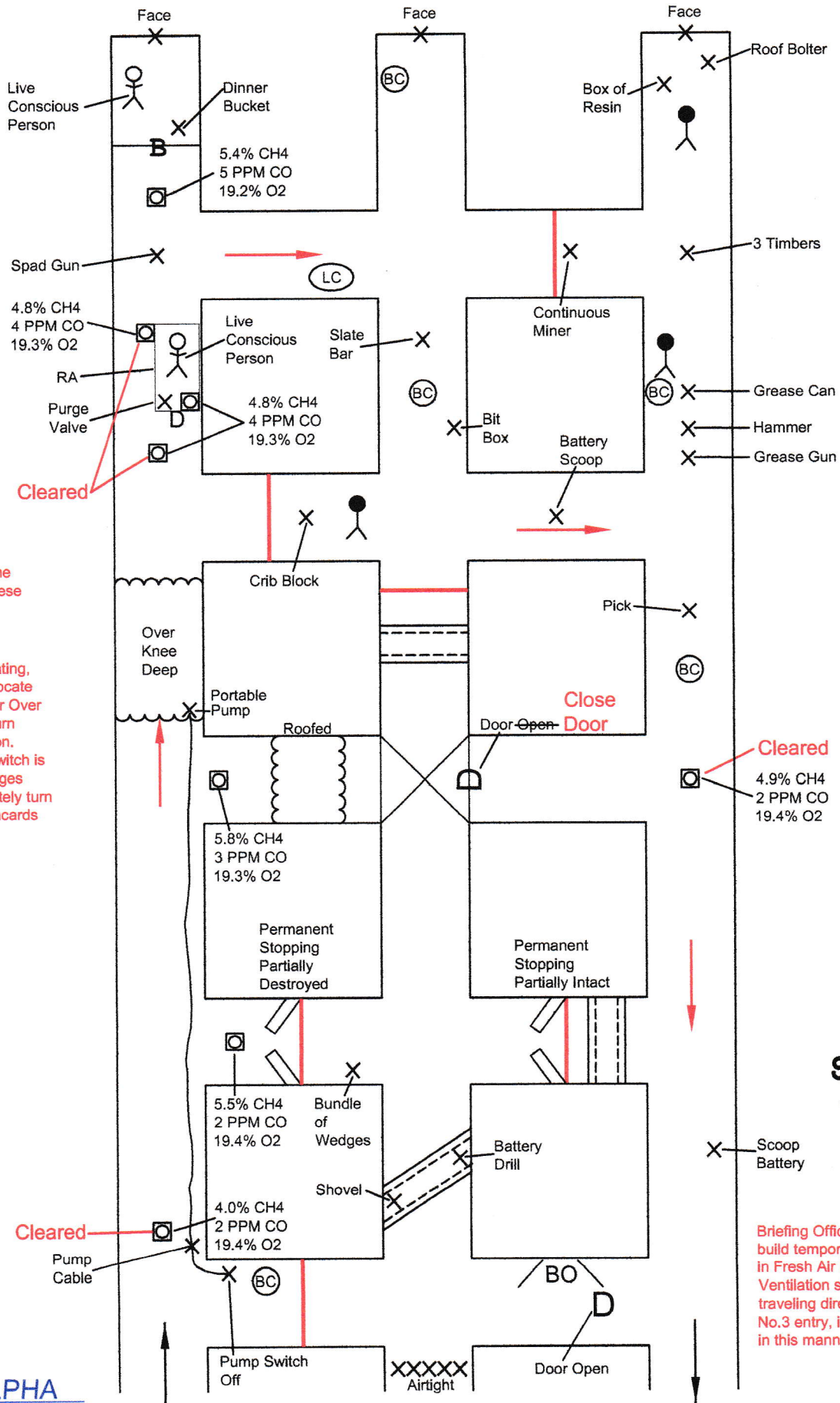
D&I Date & Initial



Scale
1"=20'

2013 Post 5 Mine Rescue Contest

First Ventilation - Day 1



There may be variations in the locations of these stoppings

Prior to ventilating, team shall relocate pump to Water Over Knee Deep, turn pump switch on. Once pump switch is turned on, judges shall immediately turn over water placards

Cleared
4.9% CH4
2 PPM CO
19.4% O2

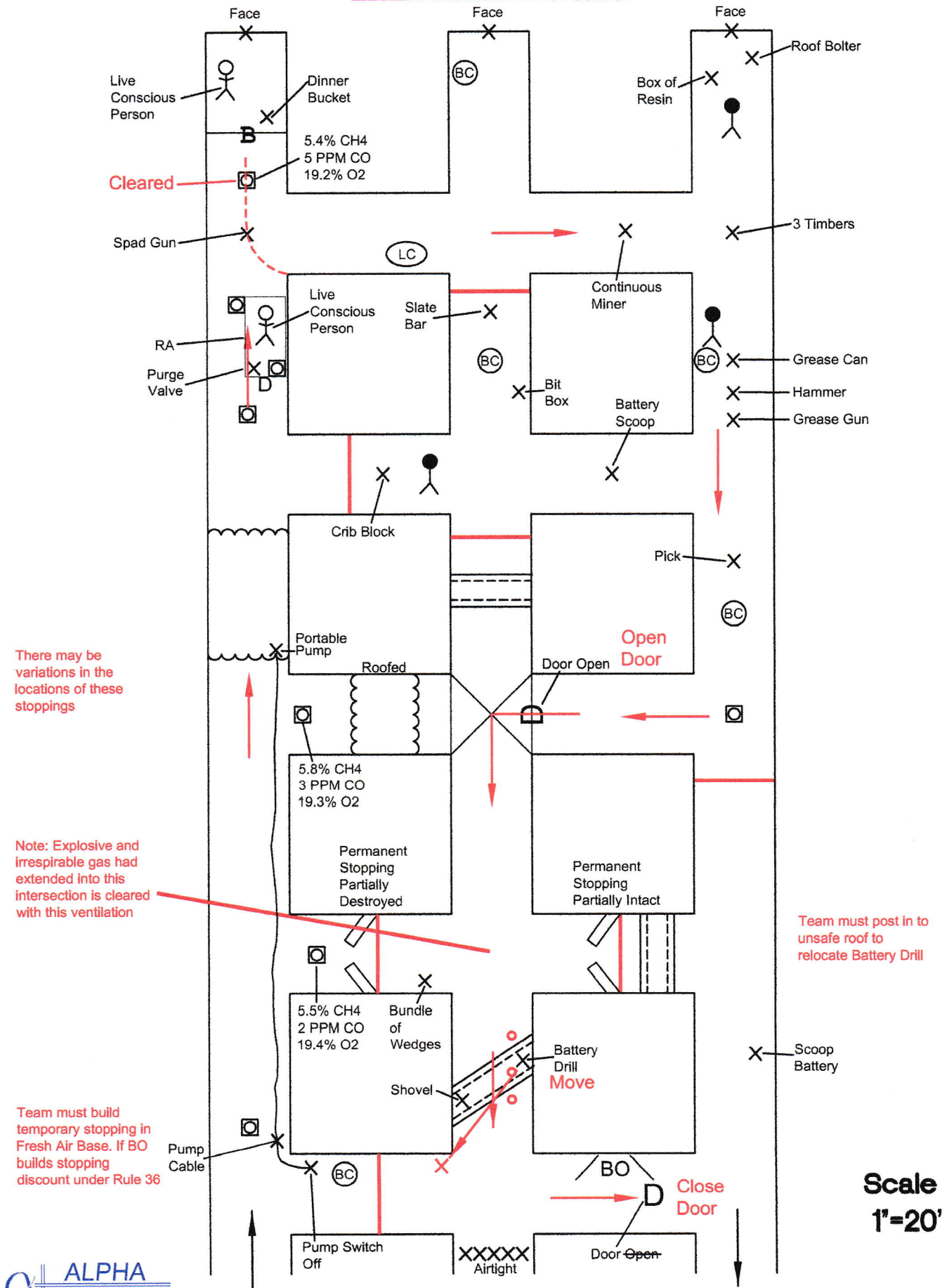
Cleared
Pump Cable

Briefing Officer may build temporary stopping in Fresh Air Base for 1st Ventilation since air is traveling directly out No.3 entry, if ventilated in this manner.

Scale
1"=20'

2013 Post 5 Mine Rescue Contest

Second Ventilation - Day 1



Scale
1"=20'

Patient in RA
Statement

Help, get me out. I'm hungry, I forgot my dinner bucket.

Patient behind Barricade

**Help get me out. There is a
solid face and is airtight behind
me.**

Brattice Cloth Found in Problem

- ❖ Brattice Cloth attached on both sides of an entry or crosscut will represent: Intact permanent or temporary stoppings, or stoppings with door closed. The placard will specifically identify the structure.
- ❖ Brattice Cloth attached only on one side of entry or crosscut will represent: Permanent or temporary stoppings not intact, damaged or partially destroyed, or stoppings with doors open. The placard will specifically identify the structure.
- ❖ A brattice cloth lying across an entry or crosscut with neither end attached will represent a completely destroyed permanent or temporary stopping. The material may be used to build a temporary stopping. The placard will specifically identify the structure.
- ❖ Each Brattice Cloth is provided with a date board. ALL D&I's REQUIRED BY THE RULES FOR STOPPINGS, OVERCASTS, ETC. SHALL BE LOCATED ON THE DATE BOARDS.
- ❖ Barricades and overcasts may be constructed using the typical brattice frames and brattice cloths or new short brattice cloths. Overcasts and barricades cannot be dismantled.
- ❖ A team may only carry two Brattice Cloths at any one time.

Conditions such as caved areas, unsafe roof areas, bodies of water, will extend rib to rib, perpendicular to team travel unless otherwise indicated by ribbon.