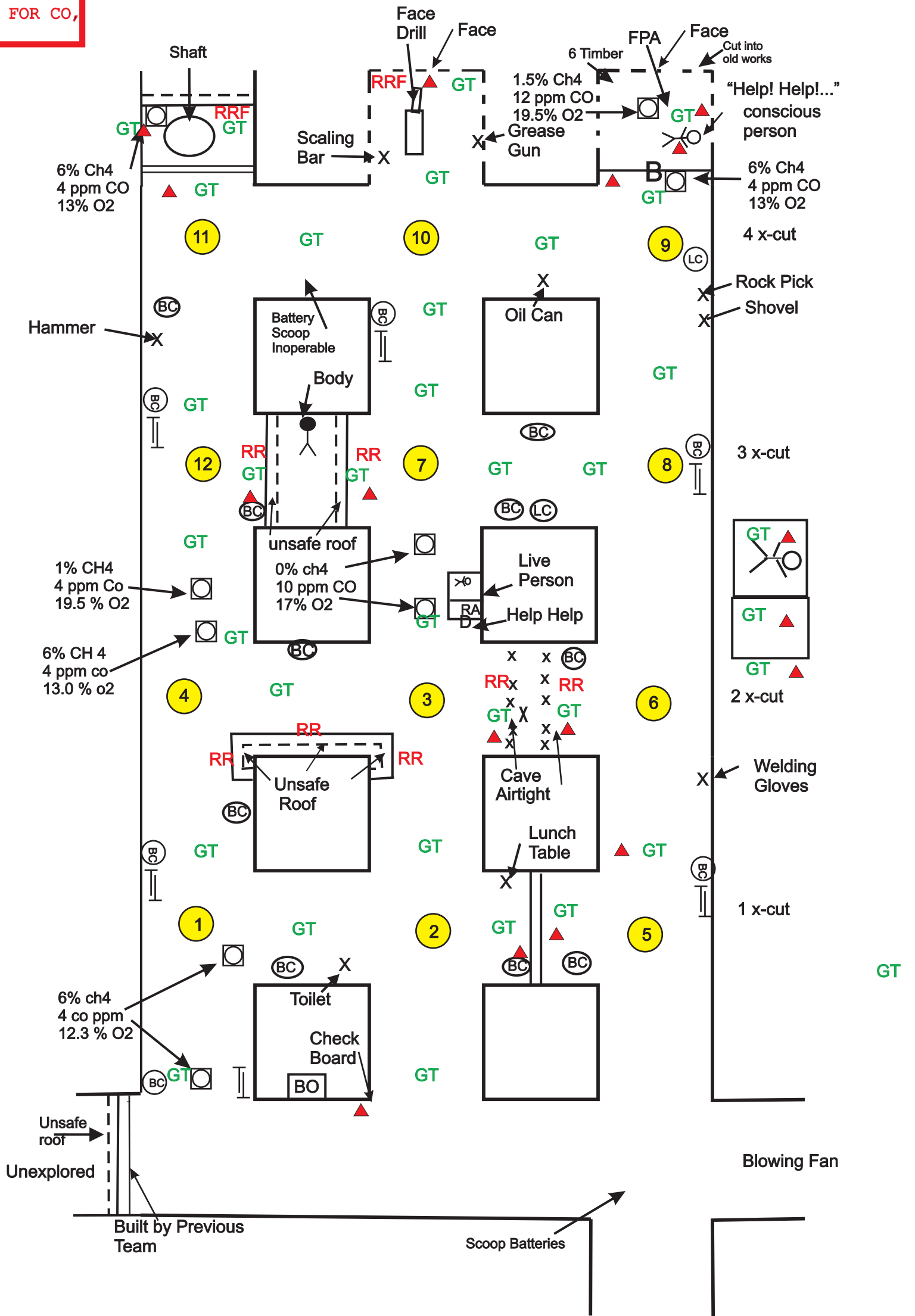


Note to Coordinator

On the first map, the fresh air base needs to have an air arrow that comes in from the right and goes just around the corner and out.

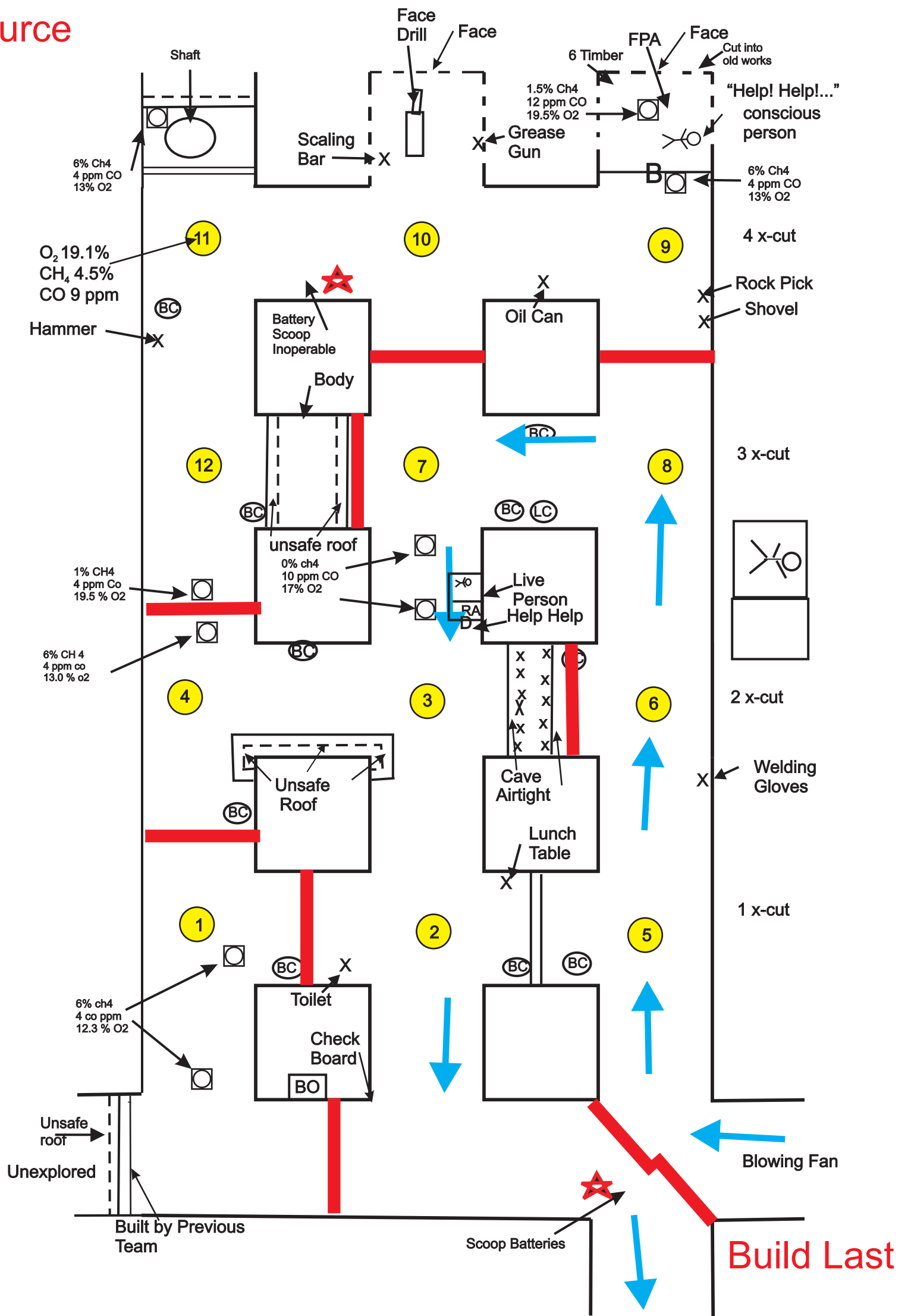
INDEX

- RR - ROOF & RIB TEST
- RRF - ROOF, RIB & FACE TEST
- ▲ - DATE & INITIALS
- GT - GAS TESTS FOR CO, O2 & Ch4



★ = Ignition Source

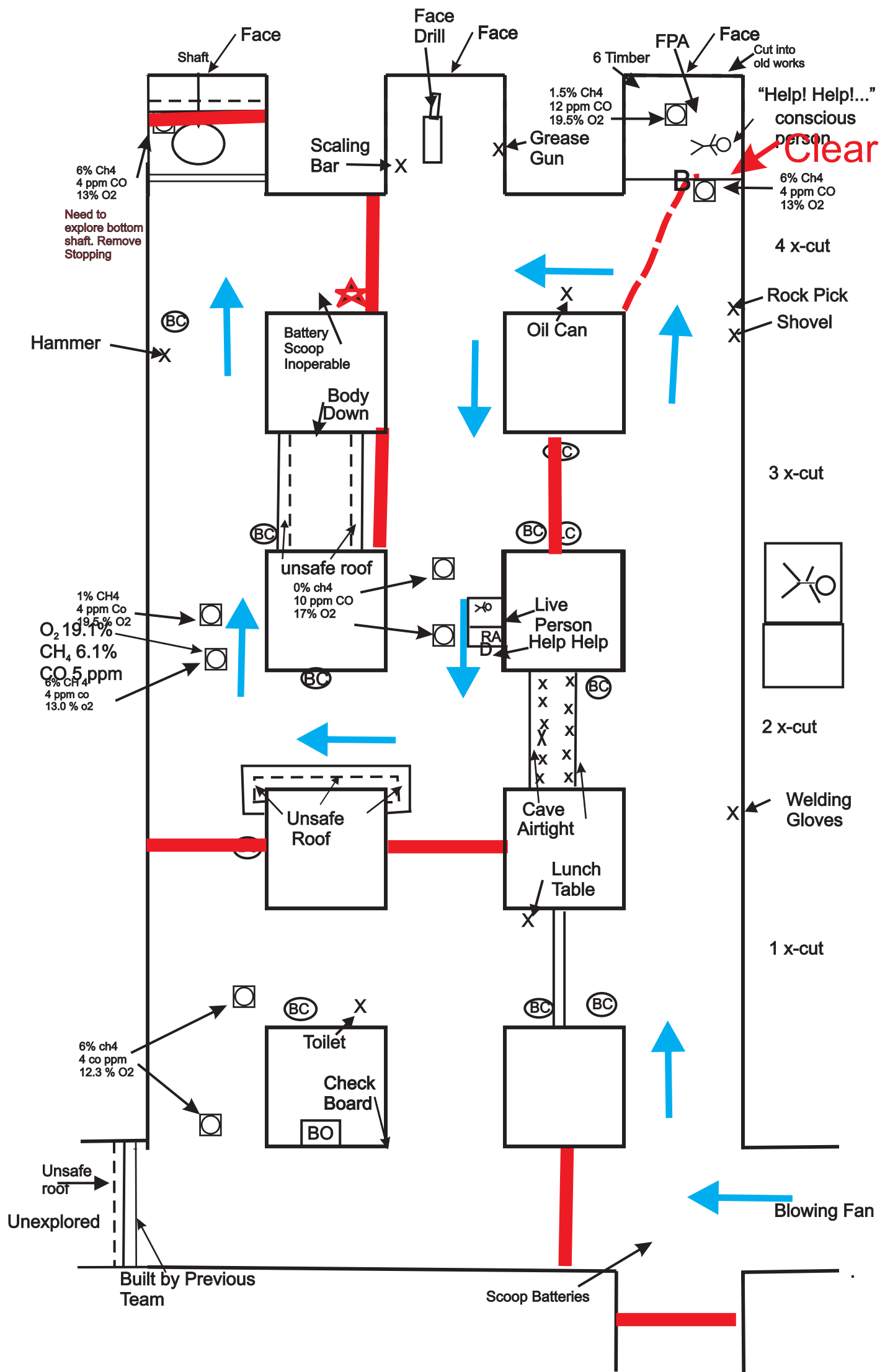
STEP 1 VENTILATION



FOUR CORNERS MINE RESCUE CONTEST - 2013

STEP 2 Ventilation

★ = Ignition Source



INDEX

RR - ROOF & RIB TEST
 RRF - ROOF, RIB &
 FACE TEST
 ▲ - DATE & INITIALS
 GT - GAS TESTS FOR CO,
 O2 & Ch4

